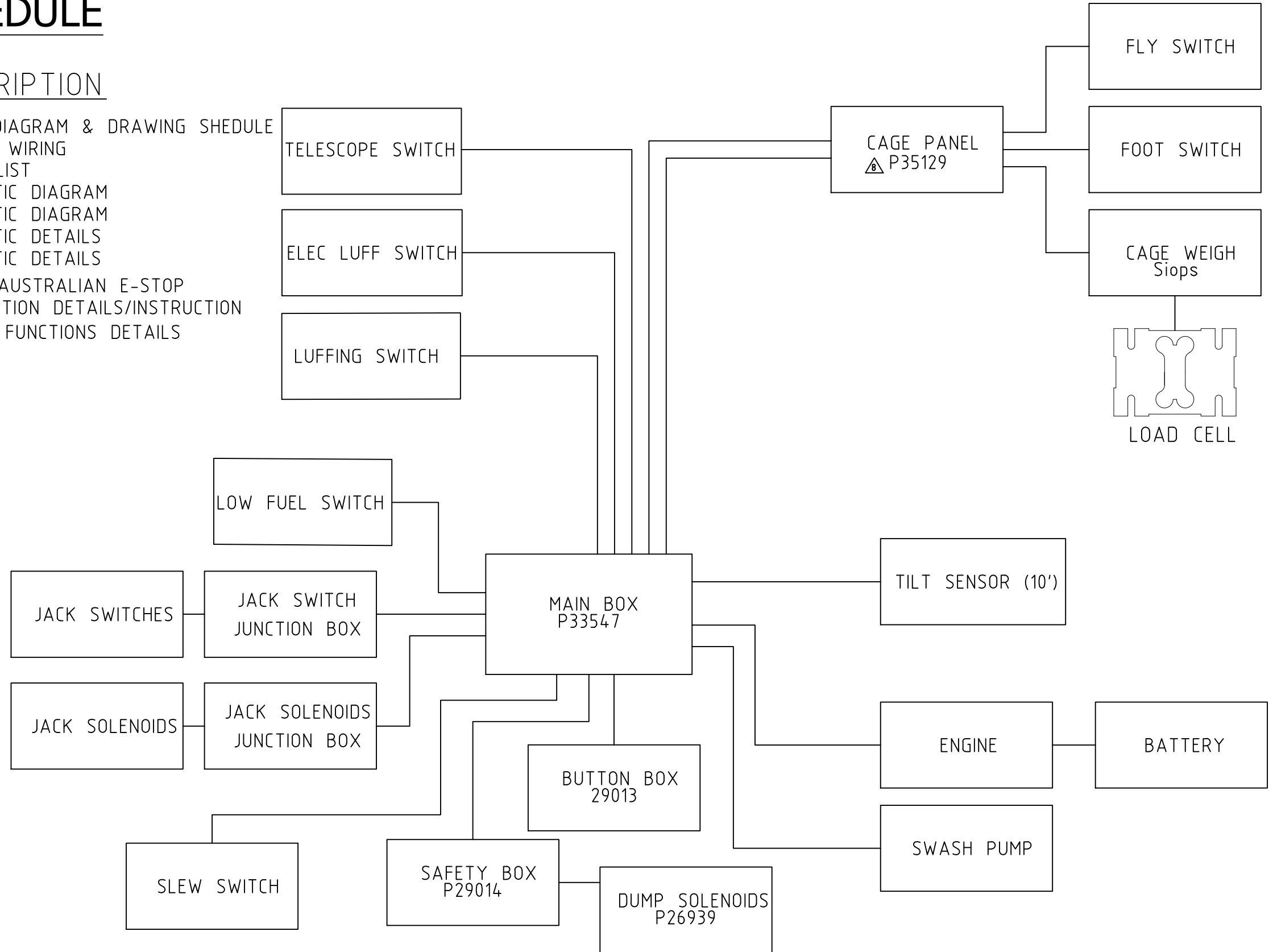


IF IN DOUBT ASK

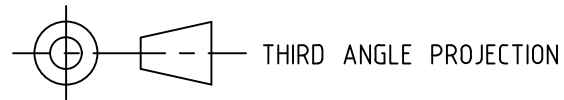
Rf.nr	Qnt.	Revision	Date	Intro.	Appr.by
8		CC25943	22/09/21	JPM	

DRAWING SCHEDULE

DRG. No.	DESCRIPTION
D81954 SHEET 1 OF 9	BLOCK DIAGRAM & DRAWING SHEDULE
D81954 SHEET 2 OF 9	CHASSIS WIRING
D81954 SHEET 3 OF 9	PARTS LIST
D81954 SHEET 4 OF 9	SCHEMATIC DIAGRAM
D81954 SHEET 5 OF 9	SCHEMATIC DIAGRAM
D81954 SHEET 6 OF 9	SCHEMATIC DETAILS
D81954 SHEET 7 OF 9	SCHEMATIC DETAILS
D81954 SHEET 8 OF 9	FRENCH/AUSTRALIAN E-STOP MODIFICATION DETAILS/INSTRUCTION
D81954 SHEET 9 OF 9	SAFETY FUNCTIONS DETAILS



<p>NIFTYLIFT LIMITED Fingle Drive, Stonebridge Milton Keynes Bucks MK13 0ER Telephone: - 01908 223456; Telefax: - 01908 312733</p>	Ref.no.	Qnt.	Part name			Material	Dimension	Remark	
	Design by	Drawn by	Copied	Checked	Standard	Affirmed	Scale	Replace	Replaced by
	DR	NRW					N/A	File	Date
	THIS DRAWING MUST NOT BE COPIED, REPRODUCED OR DISCLOSED TO ANY THIRD PARTY WITHOUT EXPRESS PERMISSION OF NIFTYLIFT LIMITED. ©			210 SD 4x4x4 Mk1b			D81954		06/05/16
REFERENCE/SCHEMATIC							D81954 SHT 1 OF 9		

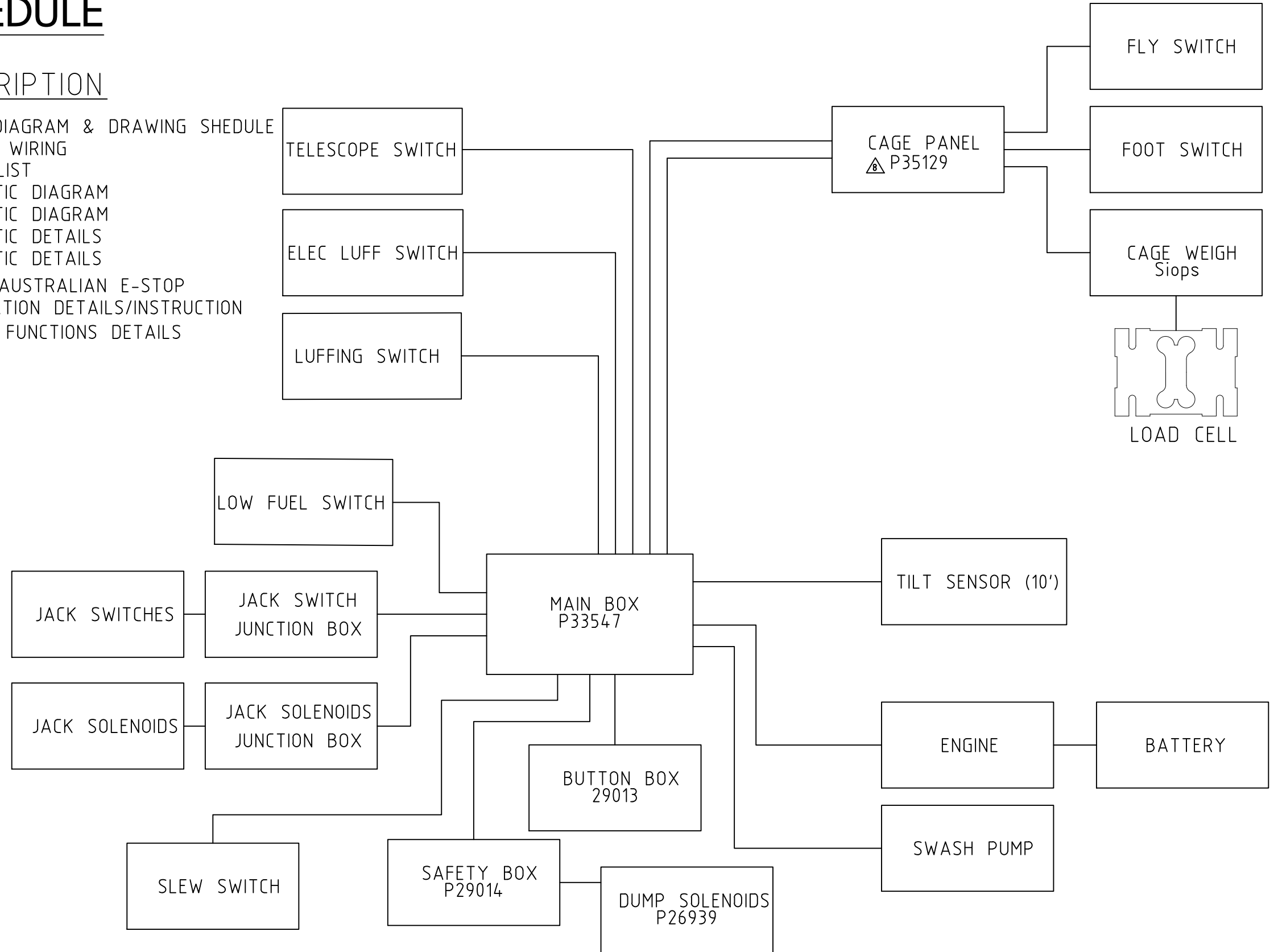


IF IN DOUBT ASK

Rf.nr	Qnt.	Revision	Date	Intro.	Appr.by
8		CC25943	22/09/21	JPM	

DRAWING SCHEDULE

DRG. No.	DESCRIPTION
D81954 SHEET 1 OF 9	BLOCK DIAGRAM & DRAWING SHEDULE
D81954 SHEET 2 OF 9	CHASSIS WIRING
D81954 SHEET 3 OF 9	PARTS LIST
D81954 SHEET 4 OF 9	SCHEMATIC DIAGRAM
D81954 SHEET 5 OF 9	SCHEMATIC DIAGRAM
D81954 SHEET 6 OF 9	SCHEMATIC DETAILS
D81954 SHEET 7 OF 9	SCHEMATIC DETAILS
D81954 SHEET 8 OF 9	FRENCH/AUSTRALIAN E-STOP MODIFICATION DETAILS/INSTRUCTION
D81954 SHEET 9 OF 9	SAFETY FUNCTIONS DETAILS



Ref.no.		Qnt.	Part name			Material	Dimension	Remark	
Design by	DR	Drawn by	NRW	Copied	Checked	Standard	Affirmed	Scale	N/A
<p>NIFTYLIFT LIMITED Fingle Drive, Stonebridge Milton Keynes Bucks MK13 0ER Telephone: - 01908 223456; Telefax: - 01908 312733</p>					<p>THIS DRAWING MUST NOT BE COPIED, REPRODUCED OR DISCLOSED TO ANY THIRD PARTY WITHOUT EXPRESS PERMISSION OF NIFTYLIFT LIMITED. ©</p>			<p>210 SD 4x4x4 Mk1b REFERENCE/SCHEMATIC</p>	
File	D81954	Date	06/05/16		Replace	Replaced by			
Drawing no.	D81954 SHT 1 OF 9								

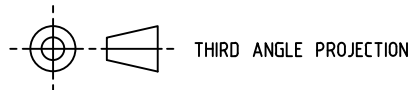


NIFTYLIFT LIMITED
 Fingle Drive, Stonebridge
 Milton Keynes
 Bucks MK13 0ER
 Telephone: - 01908 223456; Telefax: - 01908 312733

Rf.nr	Qnt.	Revision	Date	Intro.	Appr.by
1		ORIGINAL - CC18705	06/05/16	NRW	
2		CC19037	16/08/16	JH	
3		CC23502	05/08/19	VFZ	
4		CC23936	30/10/19	JH	
5		CC24197	10/01/20	JH	
6		CC25017	30/11/20	JH	
7		CC25643	28/05/21	MVS	
8		CC25943	22/09/21	JPM	

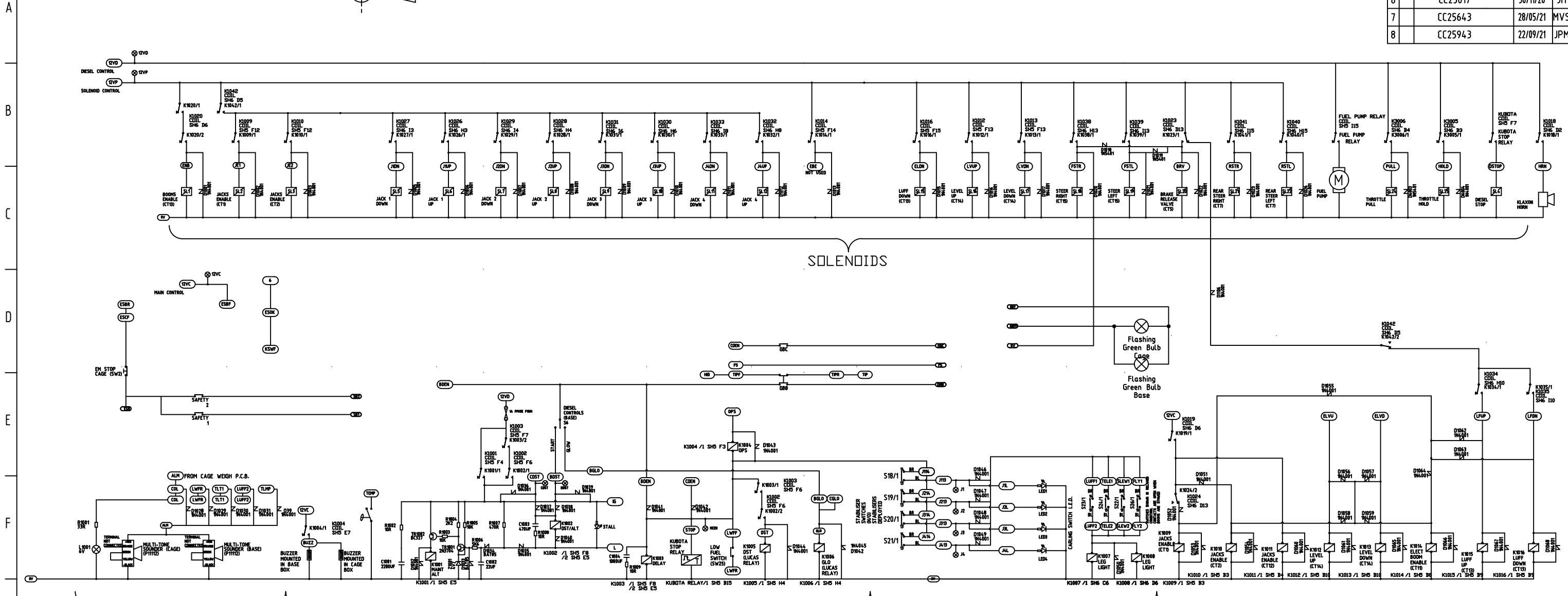
15	REF.	SWITCH LIMIT, SAFETY	-	-	P33072
14	REF.	M16 X 1.5 SHORT REACH GLAND	-	-	CONSUMABLE
13	REF.	M20 IP68 CABLE GLAND RC	RAPID ELEC:04-1955	-	CONSUMABLE
12	REF.	SENSOR LEVEL	-	-	P26462
11	REF.	BATTERY GBA3068	-	-	P15333
10	REF.	TILT SENSOR	-	-	P35757
09	REF.	LOAD CELL	-	-	P29179
08	REF.	BATTERY DISCONNECTOR	-	-	P17083
07	REF.	FUSE 125A	-	-	P12696
06	REF.	HOLDER, FUSE, 250A, 80V	-	-	P11976
05	REF.	PUMP FUEL LIFT	-	-	P11797
04	REF.	PULL HOLD THROTTLE SOLENOID	-	-	P12972
03	REF.	ENGINE V1505 KUBOTA	-	-	P13189
02	REF.	HANDLE 2-POLE ANDERSON 175 AMP	-	-	P17084
01	REF.	SWITCH LIMIT (BERNSTIEN)	-	-	P18937

Ref.no.	Qnt.	Part name	Material	Dimension	Remark
Design by	Drawn by	Copied	Checked	Standard	Affirmed
DR	NRW				Scale N/A
THIS DRAWING MUST NOT BE COPIED, REPRODUCED OR DISCLOSED TO ANY THIRD PARTY WITHOUT EXPRESS PERMISSION OF NIFTYLIFT LIMITED. ©				PARTS LIST	
				File	Date
				D81954	06/05/16
				Drawing no. D81954 SHT 3 OF 9	



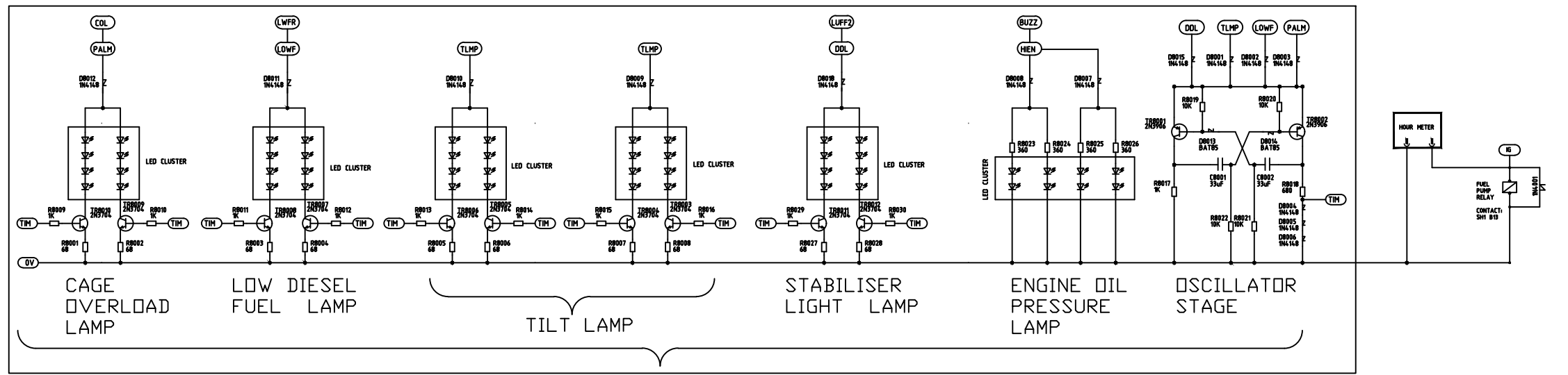
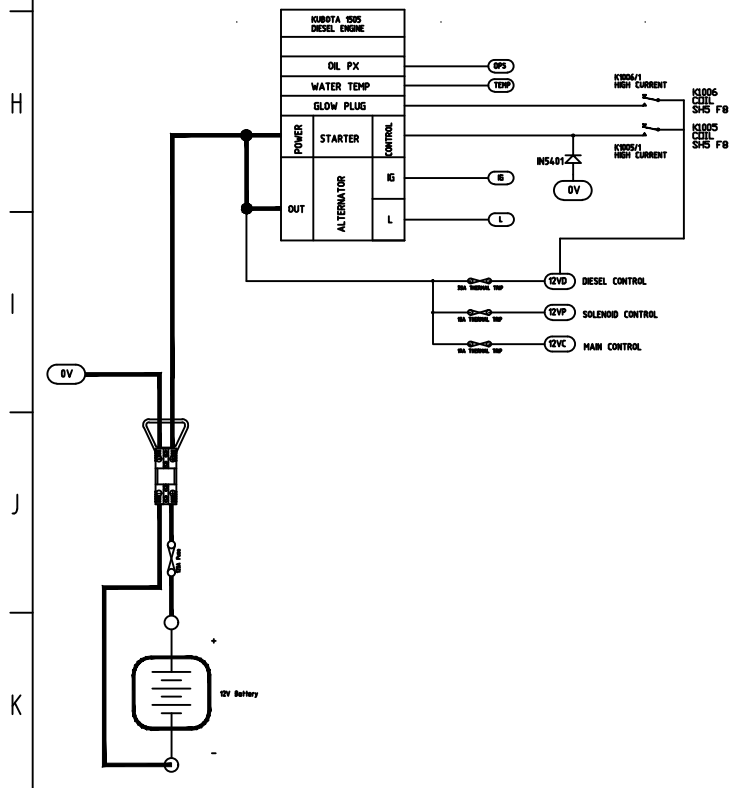
IF IN DOUBT ASK

Rev.	Qnt.	Revision	Date	Intr.	Appr. by
5		CC24197	10/01/20	JH	
6		CC25017	30/11/20	JH	
7		CC25643	28/05/21	MVS	
8		CC25943	22/09/21	JPM	



SOLENOIDS

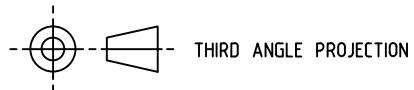
AUDIBLE ALARM ENGINE MANAGEMENT JACK/BOOM INTERFACE (A) ELECTRIC FUNCTION SPEED CONTROL



L.E.D. DISPLAY (P14460)

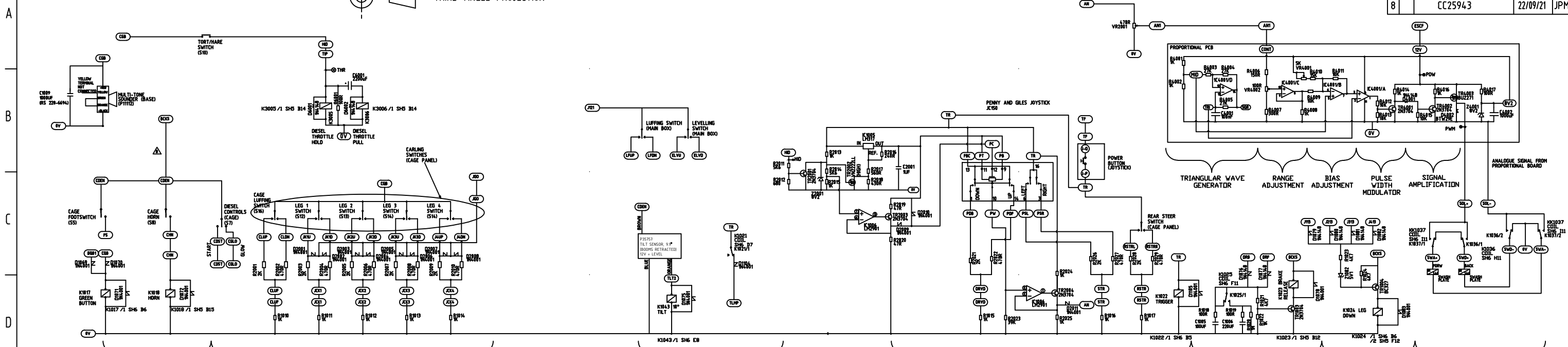
Ref.no.	Qnt.	Part name	Material	Dimension	Replace	Remark
DR1	NRW	Checked	Standard	NTS	Replace	Replaced by
<p>THIS DRAWING MUST NOT BE COPIED, REPRODUCED OR DISCLOSED TO ANY THIRD PARTY WITHOUT EXPRESS PERMISSION OF NIFTYFLT LIMITED.</p>						<p>File: D81954 Date: 06/05/16</p>
<p>DESIGN: DR1 DRAWN: NRW CHECKED: [] STANDARD: [] AFFIRMED: [] SCALE: NTS</p>						<p>Drawing no. 1 D81954 SHT4 OF 9</p>



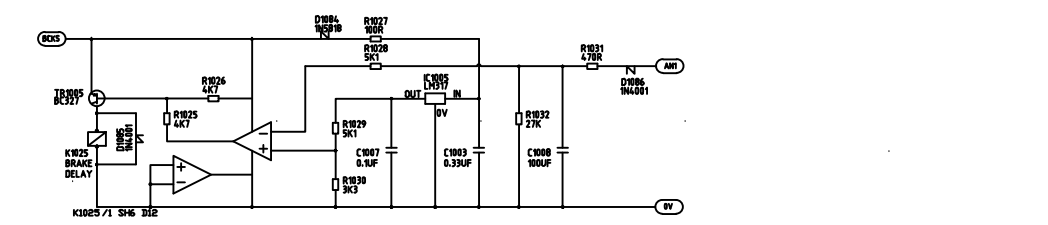


IF IN DOUBT ASK

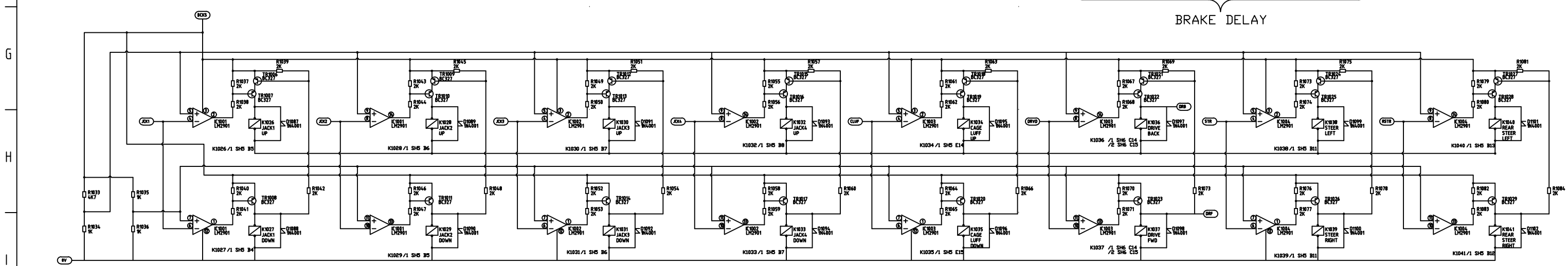
Ref. No.	Qnt.	Revision	Date	Intr.	Appr. by
7		CC25643	28/05/21	MVS	
8		CC25943	22/09/21	JPM	



GREEN BUTTON CAGE CONTROL PANEL (INCLUDING JACK LEG AND LUFFING ENCODER) TILT ALARMS DRIVE ENCODER DRIVE ENABLE JACK SPEED CONTROL SWASH DRIVER

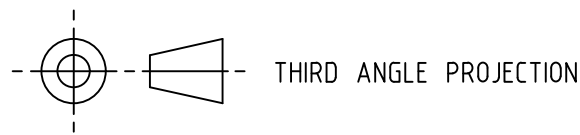


BRAKE DELAY



REF VOLTAGES JACK LEG DECODER ELECT LUFF DECODER DRIVE DECODER

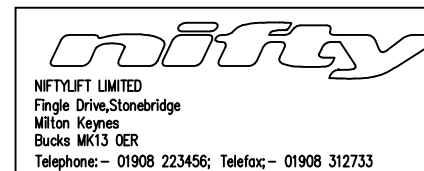
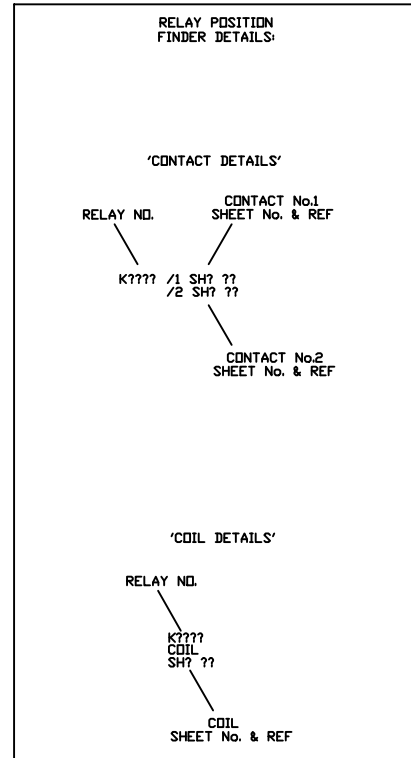
<p>NIFTY LIMITED Flight Drive, Stonebridge Milton Keynes Bucks MK13 0ER Telephone - 01908 223456; Telefax - 01908 312733</p>	Ref. no.	Qnt.	Part name	Material	Dimension	Replace	Remark
	Design by	Drawn by	Checked	Standard	Attirmed	Scale	N/A
	THIS DRAWING MUST NOT BE COPIED, REPRODUCED OR DISCLOSED TO ANY THIRD PARTY WITHOUT EXPRESS PERMISSION OF NIFTY LIMITED.			210SD 4x4x4 Mk1b			File
ELECTRICAL SCHEMATIC 2						Drawing no.	D81954
						Date	06/05/16
						Sheet	SHT 5 OF 9



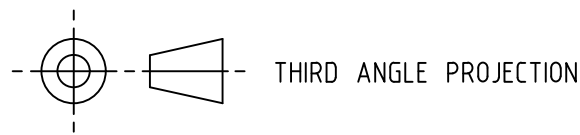
IF IN DOUBT ASK

Rf.nr	Qnt.	Revision	Date	Intr.	Appr.by
6		CC25017	30/11/20	JH	
7		CC25643	28/05/21	MVS	
8		CC25963	22/09/21	JPM	

QV	Q VOLTS		SH4 E1, F1, I1	SHT5 D1, I1, B3	SHT5 F13, C15	-
12VD	12V (DIESEL)	35A FUSED	SH4 C2, H3, I4	SHT5 C9, A11, B13	-	-
12VP	12VP (POWER, SOLENOID)	15A FUSED	SH4 A1, I3, E5	-	-	-
12VC	12VC (CONTROL)	10A FUSED	SH4 B1, I3	-	-	-
16	-	-	SH4 F3, I3, B1,	SH4 E12	SH5 A14	-
6	-	-	SH4 D2	-	-	-
8V2	-	-	SH4 E3	-	-	-
ALM	ALARM	-	SH5 B15	-	-	-
AN	SPEED SIGNAL	-	SH4 F2	-	-	-
ANI	SPEED SIGNAL 1	-	SH5 A11, D11	-	-	-
BCKS	-	-	SH5 A11, A12, E13	-	-	-
BDEN	BASE DIESEL ENABLE	-	SH4 E4	SH5 B2, G2, E10	SH5 C13	-
BDST	BASE DIESEL START	-	SH4 F6	-	-	-
BGB	BASE GREEN BUTTON	-	SH4 F6	-	-	-
BGB1	BASE GREEN BUTTON	-	SH4 D2	-	-	-
BGLD	BASE GLD	-	SH4 F4	SH6 C1	-	-
BRF	BRAKE RELEASE FRONT (CT5)	-	SH4 E6, F8	-	-	-
BRR	BRAKE RELEASE REAR (CT21)	-	SH4 C12	-	-	-
BUZZ	BUZZER	MOUNTED IN BASE BOX	SH4 C13	-	-	-
CDEN	CAGE DIESEL ENABLE	-	SH4 F3	-	-	-
CDST	CAGE DIESEL START	-	SH4 F7	SH5 C1, C2	SH4 D7	-
CGB	CAGE GREEN BUTTON	-	SH4 F5	SH5 C2	-	-
CGLD	CAGE GLD	-	SH4 D2	SH5 C1, C4	SH4 D11	-
CHN	CAGE HORN	-	SH4 F8	SH5 C3	-	-
CLDN	CAGE LUFFING DOWN	-	SH5 C2	-	-	-
CLUF	CAGE LUFFING OUTPUT	-	SH5 C3	-	-	-
CLUP	CAGE LUFFING UP	-	SH5 D3	SH5 H9	-	-
CDL	CAGE OVERLOAD	-	SH5 C3	-	-	-
CONT	-	-	SH4 F2	-	-	-
DDL	STABILISER LIGHT	-	SH5 A12	-	-	-
DRB	DRIVE BACKWARDS	-	SH4 H10, H13	-	-	-
DRF	DRIVE FORWARD	-	SH5 G12	SH5 C12	-	-
DRVD	DRIVE DIRECTION	-	SH5 I12	SH5 C12	-	-
DST	DIESEL STOP	-	SH5 D10	SH5 H10	-	-
DSTOP	DIESEL STOP	-	SH4 F8	-	-	-
EBE	ELECTRIC BOOM ENABLE(CT11)	-	SH4 C15	-	-	-
ELDN	LUFF DOWN(CT13)	-	SH4 C8	-	-	-
ELUP	LUFF UP (CT13)	-	SH4 C9	-	-	-
ELVD	LEVEL DOWN (CT14)	-	SH4 C10	-	-	-
ELVU	LEVEL UP (CT14)	-	SH4 C10	-	-	-
ENB	BOOMS ENABLE (CT13)	-	SH4 C2	-	-	-
ESBF	E-STOP BASE FEED	FROM 12VC	SH4 B2	-	-	-
ESBR	E-STOP BASE RETURN	FROM BASE E-STOP N/C CONTACT	SH4 C2	-	-	-
ESCF	E-STOP CAGE FEED	FROM ESBR	SH4 C2	-	-	-
ESDK	E-STOP OK	-	SH4 E3	-	-	-
FBC	JOYSTICK SIGNAL	-	SH5 B10	-	-	-
FLY1	FLY SWITCH (S26/1)	-	SH4 F11	-	-	-
FLY2	FLY SWITCH (S26/1)	-	SH4 F11	-	-	-
FLY3	FLY SWITCH (S26/2)	-	SH5 C5	-	-	-
FLY4	FLY SWITCH (S26/2)	-	SH5 D5	-	-	-
FSTL	STEER LEFT (CT15)	-	SH4 C11	-	-	-
FSTR	STEER RIGHT (CT15)	-	SH4 C11	-	-	-
GLD	GLDW	-	SH4 F8	-	-	-
HID	HI-DRIVE	-	SH5 B8	SH4 E7	-	-
HIEN	ENGINE OIL PRESSURE	-	SH4 H11	-	-	-
HOLD	THROTTLE HOLD	-	SH4 C14	-	-	-
IG	IGNITION	-	SH4 F6, H3	-	-	-
J113	STABILISER SWITCH	-	SH4 F9	SH5 C13	-	-
J114	STABILISER SWITCH	-	SH4 E9	SH5 A6	-	-
J121	STABILISER SWITCH (S18/2)	-	SH5 B6	-	-	-
J122	STABILISER SWITCH (S18/2)	-	SH5 B6	-	-	-
J1DN	JACK 1 DOWN	-	SH4 C4	-	-	-
J1L	CARLING SWITCH LED 1	-	SH4 F10	-	-	-
J1UP	JACK1 UP	-	SH4 C5	-	-	-
J213	STABILISER SWITCH	-	SH4 F9	SH5 C13	-	-
J214	STABILISER SWITCH	-	SH4 F9	-	-	-
J221	STABILISER SWITCH (S19/2)	-	SH5 B6	-	-	-
J222	STABILISER SWITCH (S19/2)	-	SH5 B6	-	-	-
J2DN	JACK2 DOWN	-	SH4 C5	-	-	-
J2L	CARLING SWITCH LED 2	-	SH4 F10	-	-	-
J2UP	JACK2 UP	-	SH4 C6	-	-	-
J313	STABILISER SWITCH	-	SH4 F9	SH5 C13	-	-
J314	STABILISER SWITCH	-	SH4 F9	-	-	-
J321	STABILISER SWITCH (S20/2)	-	SH5 C6	-	-	-
J322	STABILISER SWITCH (S20/2)	-	SH5 C6	-	-	-
J3DN	JACK 3 DOWN	-	SH4 C6	-	-	-
J3L	CARLING SWITCH LED 3	-	SH4 F10	-	-	-
J3UP	JACK 3 UP	-	SH4 C7	-	-	-
J413	STABILISER SWITCH	-	SH4 F9	SH5 C13	-	-
J414	STABILISER SWITCH	-	SH4 F9	-	-	-
J421	STABILISER SWITCH (S21/2)	-	SH5 C6	-	-	-



Ref.no.	Qnt.	Part name	Material	Dimension	Remark
Design by DR	Drawn by NRW	Copied	Checked	Standard	Affirmed
THIS DRAWING MUST NOT BE COPIED, REPRODUCED OR DISCLOSED TO ANY THIRD PARTY WITHOUT EXPRESS PERMISSION OF NIFTYLIFT LIMITED. ©			210SD 4x4x4 Mk1b	Scale N/A	Replace
			ELECTRICAL SCHEMATIC	File D81954	Date 06/05/16
				Drawing no. D81954	Sht 6 of 9



THIRD ANGLE PROJECTION

IF IN DOUBT ASK

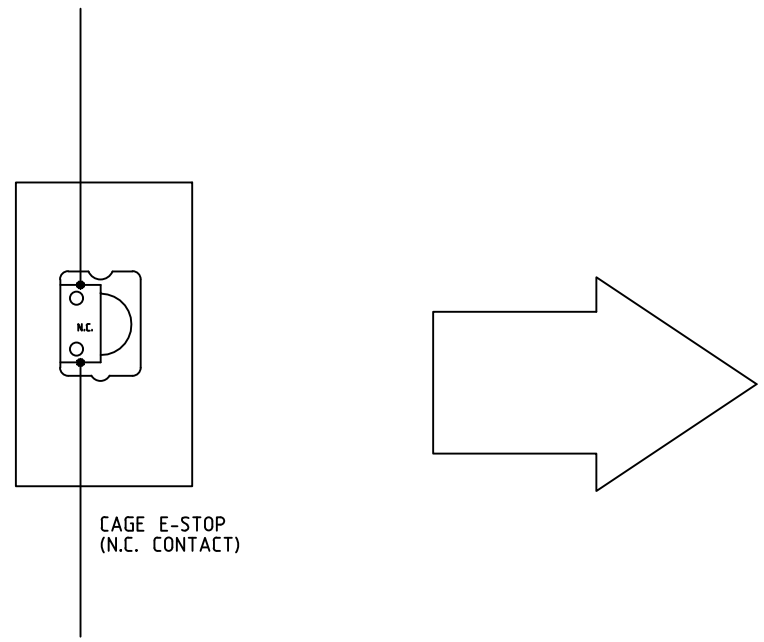
Rf.nr	Qnt.	Revision	Date	Intro.	Appr.by
6		CC25017	30/11/20	JH	
7		CC25643	28/05/21	MVS	
8		CC25943	22/09/21	JPM	

J422	STABILISER SWITCH (S21/2)	-	SH5 C6	-	-	-
J4DN	JACK4 DOWN	-	SH4 C7	-	-	-
J4L	CARLING SWITCH LED 4	-	SH4 F10	-	-	-
J4UP	JACK4 UP	-	SH4 C8	-	-	-
JCK1	JACK LEG1 SWITCH SIGNAL	-	SH5 D3	SH5 H2	-	-
JCK2	JACK LEG2 SWITCH SIGNAL	-	SH5 D4	SH5 H3	-	-
JCK3	JACK LEG3 SWITCH SIGNAL	-	SH5 D4	SH5 H5	-	-
JCK4	JACK LEG4 SWITCH SIGNAL	-	SH5 D5	SH5 H7	-	-
JE1	JACKS ENABLE (CT1)	-	SH4 C3	-	-	-
JE2	JACKS ENABLE (CT2)	-	SH4 C3	-	-	-
JE12	JACKS ENABLE (CT12)	-	SH4 C4	-	-	-
JGD	-	-	SH5 C5	-	-	-
JK1D	JACK LEG1 DOWN	-	SH5 C3	-	-	-
JK1U	JACK LEG1 UP	-	SH5 C3	-	-	-
JK2D	JACK LEG2 DOWN	-	SH5 C4	-	-	-
JK2U	JACK LEG2 UP	-	SH5 C4	-	-	-
JK3D	JACK LEG3 DOWN	-	SH5 C4	-	-	-
JK3U	JACK LEG3 UP	-	SH5 C4	-	-	-
JK4D	JACK LEG4 DOWN	-	SH5 C5	-	-	-
JK4U	JACK LEG4 UP	-	SH5 C5	-	-	-
KSWF	KEY SWITCH FEED	-	SH4 E3	-	-	-
L	-	-	SH4 F6	SH4 I3	-	-
LFDN	LUFFING SWITCH (DOWN SIG.)	-	SH4 E15	SH5 B7	-	-
LFS1	DRIVE HEIGHT SWITCH (S8)	LUFFING DRIVE HEIGHT SWITCH	SH4 B9	-	-	-
LFS2	DRIVE HEIGHT SWITCH (S8)	LUFFING DRIVE HEIGHT SWITCH	SH4 B9	-	-	-
LFUP	LUFFING SWITCH (UP SIGNAL)	-	SH4 E14	SH5 B6	-	-
LDWF	LDW DIESEL ALARM	-	SH4 H6	SH4 H13	-	-
LUFF1	LUFFING SWITCH (S23/1)	-	SH4 F11	-	-	-
LUFF2	LUFFING SWITCH (S23/1)	-	SH4 F11	SH4 F3	-	-
LUFF3	LUFFING SWITCH (S23/2)	-	SH5 A5	-	-	-
LUFF4	LUFFING SWITCH (S23/2)	-	SH5 B5	-	-	-
LVDN	LEVEL DOWN (CT14)	-	SH4 E13	SH5 B7	-	-
LVUP	LEVEL UP (CT14)	-	SH4 E13	SH5 B7	-	-
LWFF	LDW FUEL FEED	-	SH4 F7	-	-	-
LWFR	LDW FUEL RETURN	-	SH4 F2	SH4 F7	-	-
DPS	DIL PRESSURE SWITCH	-	SH4 E7	SH4 H3	-	-
PALM	CAGE OVERLOAD	-	SH4 H5	SH4 H13	-	-
PB	JOYSTICK SIGNAL	-	SH5 B10	-	-	-
PC	JOYSTICK SIGNAL	-	SH5 B10	-	-	-
PDB	JOYSTICK SIGNAL	-	SH5 C11	-	-	-
PDF	JOYSTICK SIGNAL	-	SH5 C10	-	-	-
PSL	JOYSTICK SIGNAL	-	SH5 C10	-	-	-
PSR	JOYSTICK SIGNAL	-	SH5 C10	-	-	-
PT	JOYSTICK SIGNAL	-	SH5 B10	-	-	-
PULL	THRDTTLE PULL	-	SH4 C14	-	-	-
PW	JOYSTICK SIGNAL	-	SH5 C10	-	-	-
RSR	REAR STEER LEFT(CT7)	-	SH4 C13	-	-	-
RSTR	REAR STEER RIGHT (CT7)	-	SH4 C12	-	-	-
RSTR	REAR STEER RIGHT	-	SH5 D11	SH5 H14	-	-
RSTR	REAR STEER LEFT	-	SH5 C11	-	-	-
RSTR	REAR STEER RIGHT	-	SH5 C11	-	-	-
SLEW1	SLEW SWITCH (S22/1)	-	SH4 F11	-	-	-
SLEW2	SLEW SWITCH (S22/1)	-	SH4 F11	-	-	-
SLEW3	SLEW SWITCH (S22/2)	-	SH5 C5	-	-	-
SLEW4	SLEW SWITCH (S22/2)	-	SH5 C5	-	-	-
SDL +	ANALOGUE SPEED SIGNAL +VE	-	SH5 C14	-	-	-
SDL -	ANALOGUE SPEED SIGNAL -VE	-	SH5 C15	-	-	-
STDP	-	-	SH4 F7	-	-	-
STR	STEERING DIRECTION	-	SH5 D11	SH5 H12	-	-
SUS	-	-	SH4 E3	-	-	-
SWA+	ANALOGUE SPEED FORWARD	-	SH5 C14	-	-	-
SWA-	ANALOGUE SPEED FORWARDS	-	SH5 C15	-	-	-
SWD+	ANALOGUE SPEED BACKWARDS	-	SH5 C14	-	-	-
SWD-	ANALOGUE SPEED BACKWARDS	-	SH5 C15	-	-	-
TELE1	TELE SWITCH (S24/1)	-	SH5 F11	-	-	-
TELE2	TELE SWITCH (S24/1)	-	SH4 F11	-	-	-
TELE3	TELE SWITCH (S24/2)	-	SH5 B5	-	-	-
TELE4	TELE SWITCH (S24/2)	-	SH5 B5	-	-	-
TF	TRIGGER FEED	-	SH5 B6	SH5 B11	-	-
TIM	OSCILLATOR	-	SH4 I13	SH4 I5 & I6	SH4 I7 & I8	SH4 I9 & I10
TIP	DIESEL THROTTLE	-	SH5 B3	SH4 E9	-	-
TIPF	DIESEL THROTTLE	-	SH5 B3	SH4 E7	-	-
TIPR	DIESEL THROTTLE	-	SH5 B3	SH4 E8	-	-
TLMP	TILT ALARM	-	SH4 H8	SH4 H9	SH4 H13	-
TLT1	TILT ALARM SIGNAL	-	SH4 F2	-	-	-
TLT2	9.9° TILT SENSOR	-	SH5 D7	-	-	-
TR	TRIGGER RETURN	-	SH5 C11	SH5 B9 & B10	SH5 E8	SH5 C6 & C12
TTS	TILT SENSOR POWER	-	SH5 B7	-	-	-
WNC	WEIGH N.C. FEED	-	SH4 D1	-	-	-
WNC	WEIGH N.C. RETURN	-	SH4 D1	-	-	-
WNC	WEIGH N.D. FEED	-	SH4 D1	-	-	-
WNC	WEIGH N.D. RETURN	-	SH4 D1	-	-	-

<p>NIFTYLIFT LIMITED Fingle Drive, Stonebridge Milton Keynes Bucks MK13 0ER Telephone: - 01908 223456; Telefax: - 01908 312733</p>	Ref.no.	Qnt.	Part name	Material	Dimension	Remark	
	Design by DR	Drawn by NRW	Copied	Checked	Standard	Affirmed	Scale N/A
	THIS DRAWING MUST NOT BE COPIED, REPRODUCED OR DISCLOSED TO ANY THIRD PARTY WITHOUT EXPRESS PERMISSION OF NIFTYLIFT LIMITED. ©			210SD 4x4x4 Mk1b		File D81954	Date 10/7/06
ELECTRICAL SCHEMATIC						Drawing no. D81954 SHT 7 of 9	

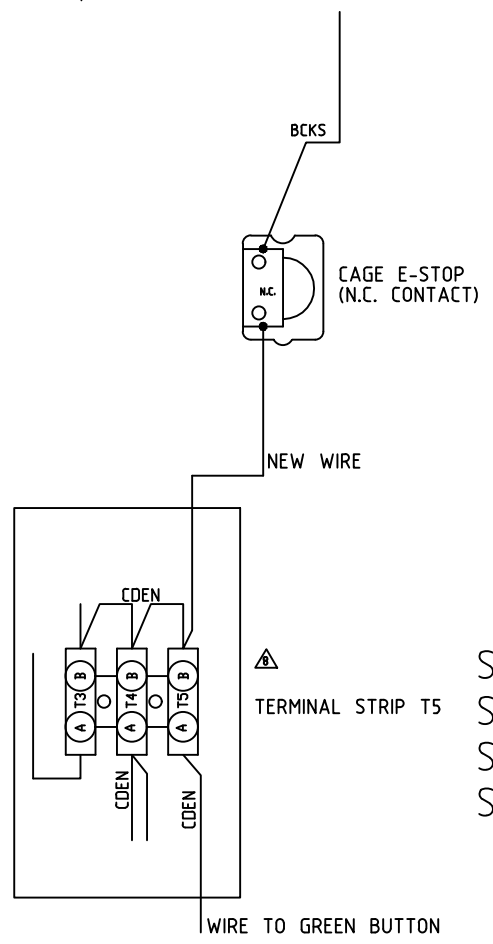
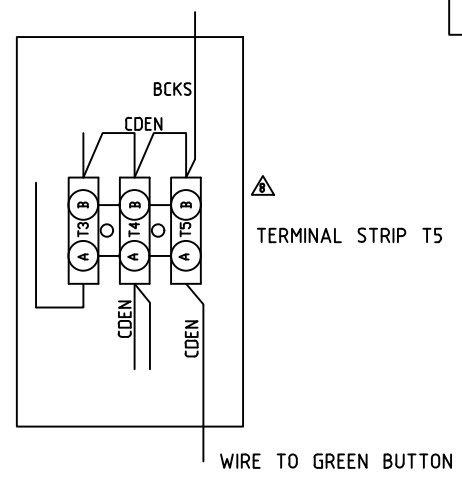
Rf.nr	Qty.	Revision	Date	Intro.	Appr.by
6		CC25017	30/11/20	JH	
7		CC25643	28/05/21	MVS	
8		CC25943	22/09/21	JPM	

A
B
C
D
H

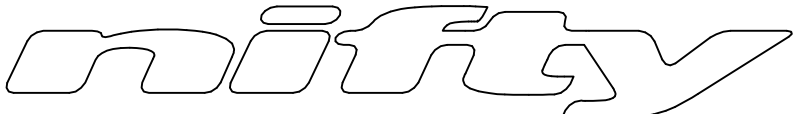


RELAY POSITION FINDER DETAILS:

- STEP 1: ISOLATE THE MACHINE AND REMOVE CAGE LID
- STEP 2: IDENTIFY THE CAGE E-STOP
- STEP 3: REMOVE WIRES FROM CAGE E-STOP SWITCH
- STEP 4: CONNECT WIRES INTO TERMINAL STRIP



- STEP 5: IDENTIFY THE TERMINAL STRIP T5
- STEP 6: REMOVE BCKS CABLE FROM THE TERMINAL STRIP T5
- STEP 7: RECONNECT BCKS CABLE TO THE E-STOP SWITCH
- STEP 8: RUN A 1.0mm SQ CABLE FROM E-STOP OUTPUT TO THE TERMINAL STRIP T5

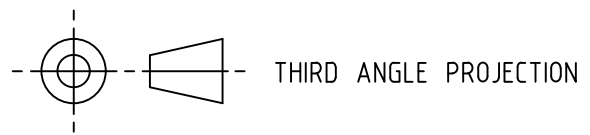


NIFTYLIFT LIMITED
 Fingle Drive, Stonebridge
 Milton Keynes
 Bucks MK13 0ER
 Telephone: - 01908 223456; Telefax: - 01908 312733

Ref.no.	Qty.	Part name				Material	Dimension	Remark	
Design by DR	Drawn by NRW	Copied	Checked	Standard	Affirmed	Scale	Replace	Replaced by	
THIS DRAWING MUST NOT BE COPIED, REPRODUCED OR DISCLOSED TO ANY THIRD PARTY WITHOUT EXPRESS PERMISSION OF NIFTYLIFT LIMITED. ©				SD210 4x4x4 Mk1b			File D81954	Date 06/05/16	
FRENCH/AUSTRALIAN E-STOP MODS							Drawing no. D81954-SHT 8 of 9		

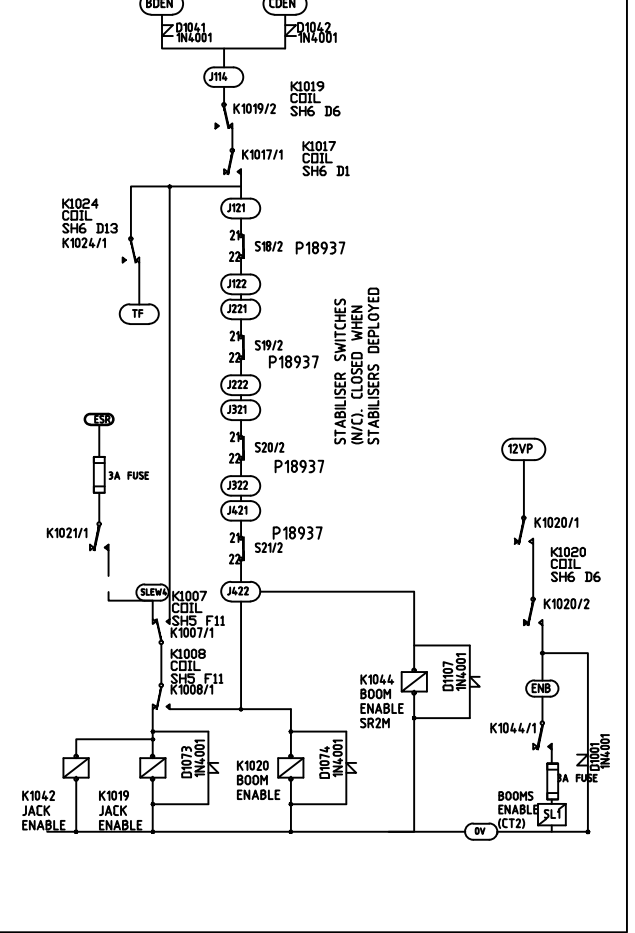
1 2 3 4 5 6 7

Rf.nr	Qnt.	Revision	Date	Intro.	Appr.by
8		CC25943	22/09/21	JPM	

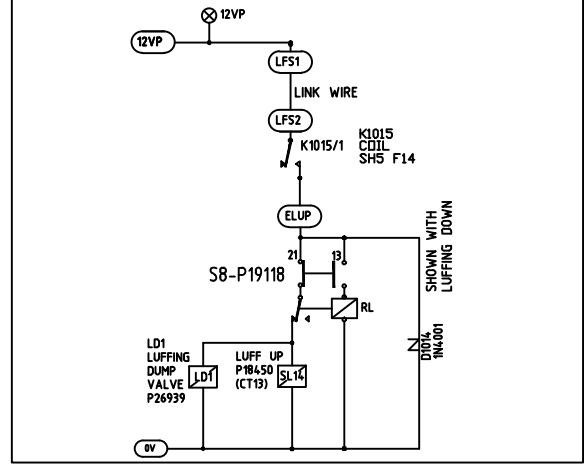


IF IN DOUBT ASK

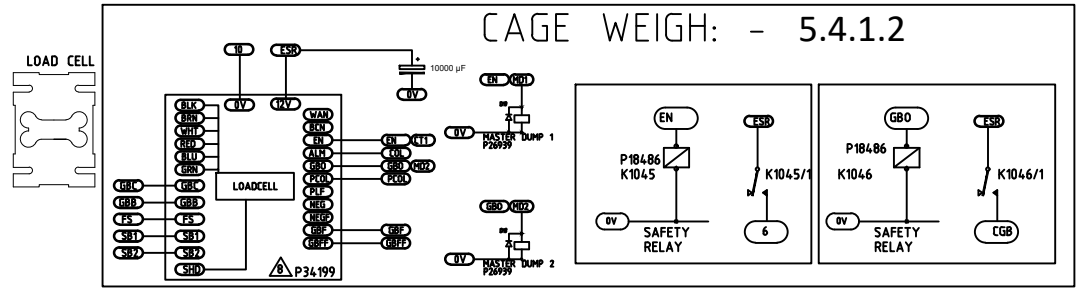
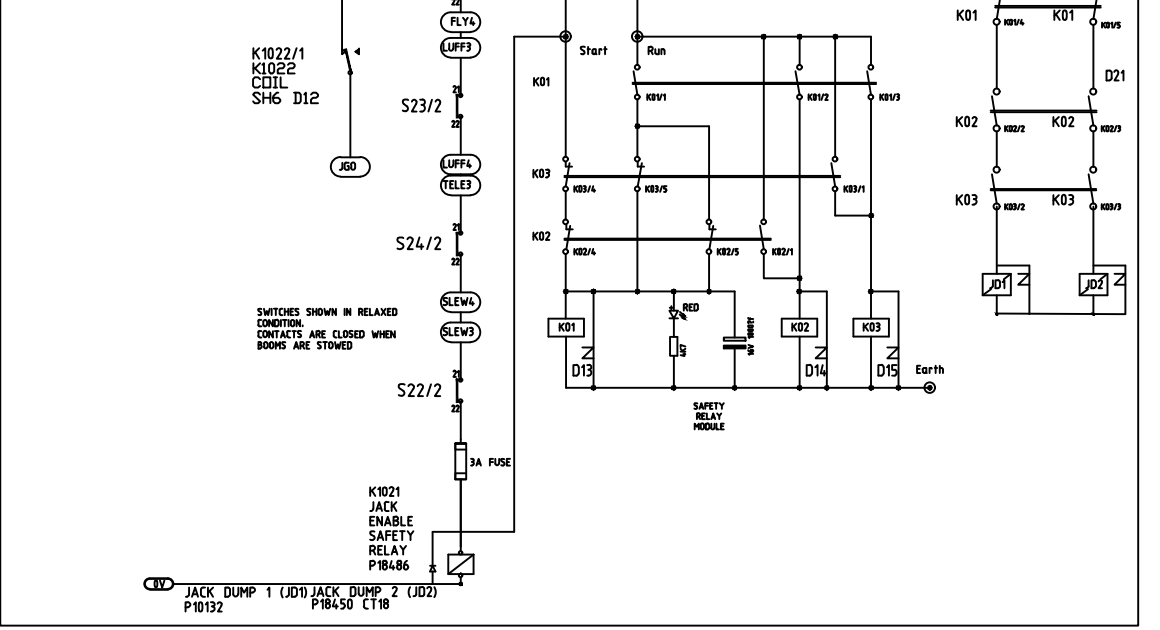
Monitoring of stabilisers: - 5.3.2.1.2



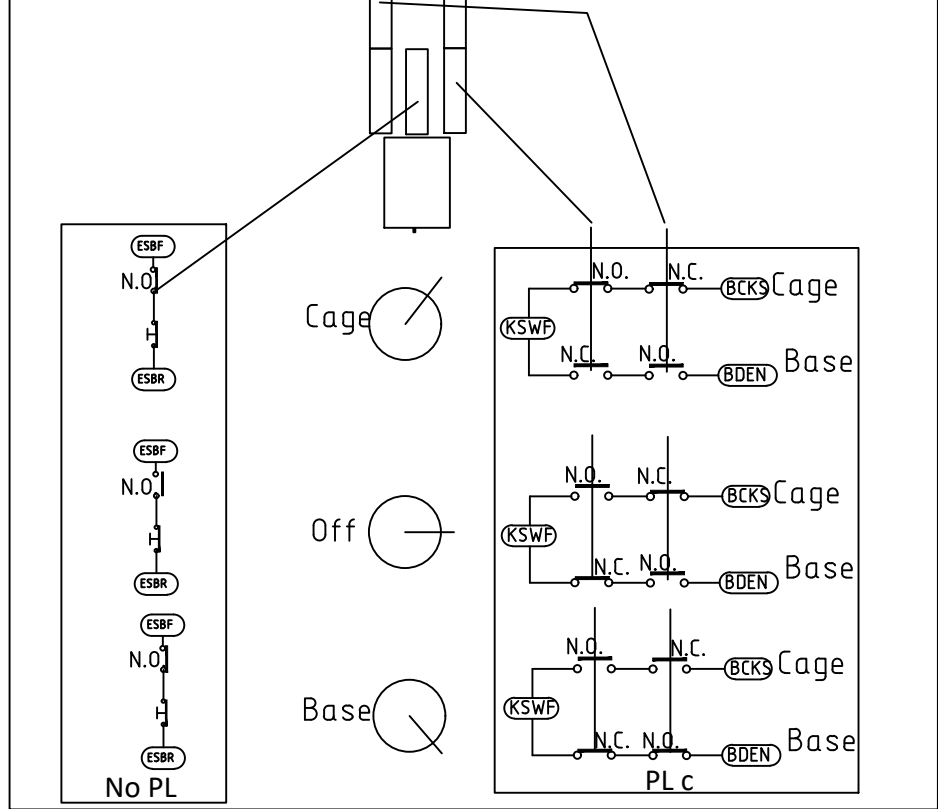
LIMITED RANGE OF MOTION:-5.3.2.1.3



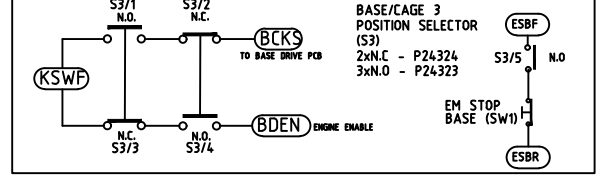
MONITORING OF JACKS -5.3.2.1.4



Logic 5.7.4



INTERLOCKING OF CONTROL POSITIONS 5.7.4



(SAFETY FUNCTIONS)

<p>NIFTYLIFT LIMITED Fingle Drive, Stonebridge Milton Keynes Bucks MK13 0ER Telephone: - 01908 223456; Telefax: - 01908 312733</p>	Ref.no.	Qnt.	Part name	Material	Dimension	Remark								
	Design by	DR	Drawn by	NRW	Copied	Checked	Standard	Affirmed	Scale	N/A	Replace	Replaced by		
	<p>THIS DRAWING MUST NOT BE COPIED, REPRODUCED OR DISCLOSED TO ANY THIRD PARTY WITHOUT EXPRESS PERMISSION OF NIFTYLIFT LIMITED. ©</p> <p>210SD 4x4x4 Mk1b ELECTRICAL SCHEMATIC</p>										File	D81954	Date	06/05/16
											Drawing no.	D81954	Sht	9 of 9