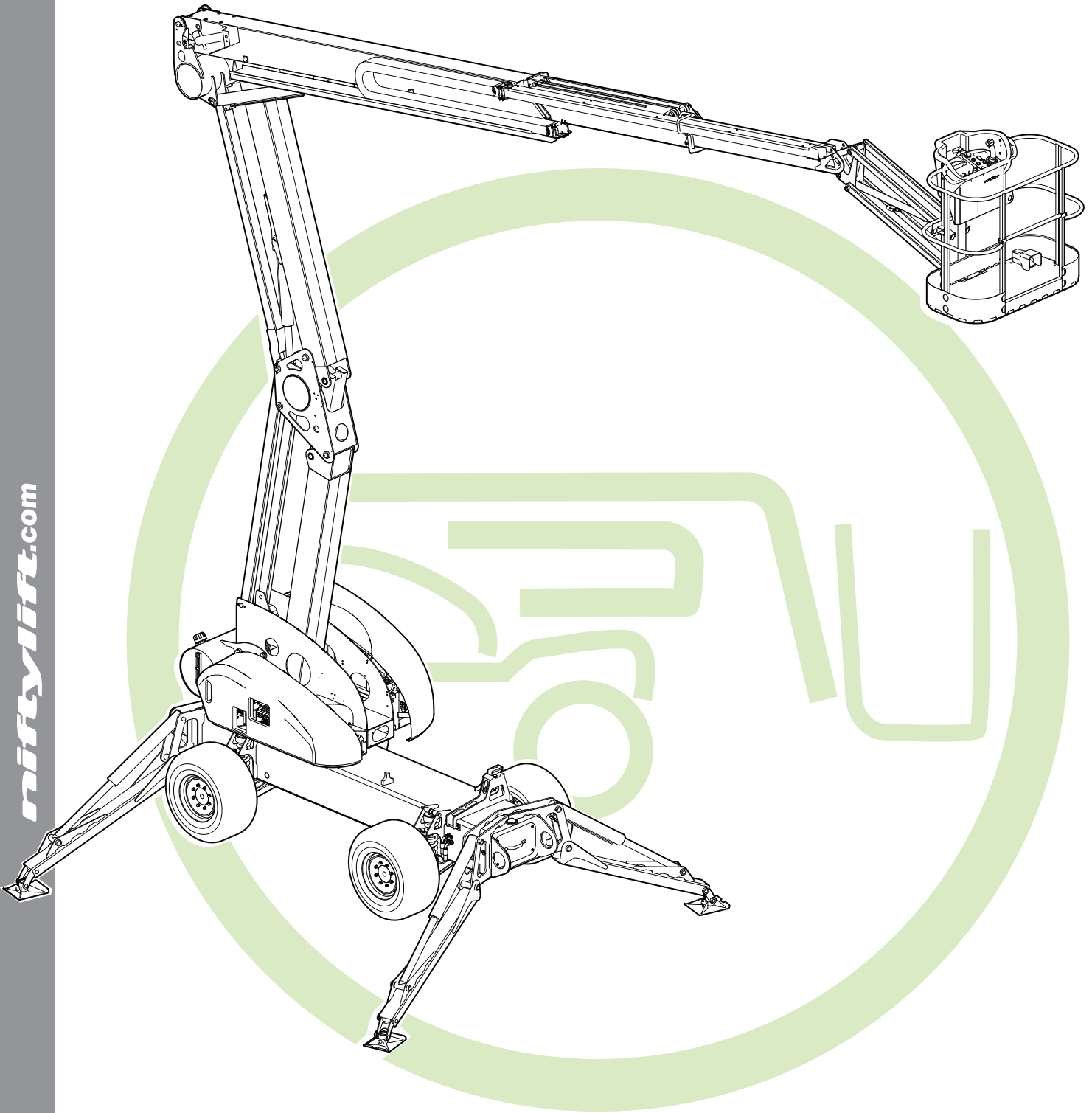




# nifty

## **SD210** **SD64**



niftylift.com

**M50180/10**



**Issue 10**  
**(November 2020)**

**illustrated parts manual**

**Manuel illustré de pièces détachées**

**Illustrierte Stückliste**

**Manual de piezas ilustrado**



Please Note, at the time of going to press, all information, illustrations details and descriptions contained herein are valid. Niftylift reserves the right to change, alter, modify or improve its products without any obligation to install them on previously manufactured machines.

Readers of this manual requiring further information should contact us at:

**Niftylift Ltd.**  
**Fingle Drive**  
**Stonebridge**  
**Milton Keynes**  
**MK13 OER**  
**United Kingdom**

**Niftylift Inc.**  
**1525 S.Buncombe Road**  
**Greer**  
**SC 29651**  
**USA**

Tel +44 (0)1908 857899  
 Fax +44 (0)1908 227460

1 864 968 8881  
 1 864 968 8836

### Ordering of Parts

When ordering a replacement part for your Niftylift product, please state the following:

- Machine Model and Serial number      Niftylift Part number
- Full description of the part              Quantity required
- Purchase Order number                    Destination address

### Machine Information

Model number..... Date of Purchase .....

Serial number .....

Veuillez noter qu'au moment de la mise sous presse, l'ensemble des informations, illustrations, détails et descriptions, contenus dans le présent document, sont valides. Niftylift se réserve le droit de changer ou d'améliorer ses produits sans obligation de montage sur les anciennes machines.

Pour toutes informations supplémentaires, veuillez nous contacter à:

**Niftylift Ltd.**  
**Fingle Drive**  
**Stonebridge**  
**Milton Keynes**  
**MK13 OER**  
**United Kingdom**

**Niftylift Inc.**  
**1525 S.Buncombe Road**  
**Greer**  
**SC 29651**  
**USA**

Tel +44 (0)1908 857899  
 Fax +44 (0)1908 227460

1 864 968 8881  
 1 864 968 8836

### Commande de pièces

Lors de la commande de pièces de rechange pour votre machine Niftylift, veuillez indiquer ce qui suit:

- Modèle et numéro de série de la machine      Référence de la pièce Niftylift
- Description complète de la pièce              Quantité requise
- Numéro de commande                              Adresse de destination

### Informations relatives à la machine

Numéro de modèle..... Date d'achat .....

Numéro de série .....



Bitte nehmen Sie zur Kenntnis, dass alle hierin enthaltenen Informationen, Illustrationen und Beschreibungen zum Zeitpunkt des Drucks gültig sind. Niftylift behält sich das Recht vor, Produkte zu wechseln, ändern, modifizieren und zu verbessern, ohne verpflichtet zu sein, sie an früher gefertigten Maschinen zu installieren.

Wenn Leser dieser Anleitung weitere Informationen benötigen, wenden sie sich bitte an uns unter:

**Niftylift Ltd.**  
**Fingle Drive**  
**Stonebridge**  
**Milton Keynes**  
**MK13 OER**  
**Großbritannien**

**Niftylift Inc.**  
**1525 S.Buncombe Road**  
**Greer**  
**SC 29651**  
**USA**

Tel +44 (0)1908 857899  
 Fax +44 (0)1908 227460

1 864 968 8881  
 1 864 968 8836

## Bestellen von Ersatzteilen

Bei der Bestellung eines Ersatzteils für Ihr Produkt von Niftylift geben Sie bitte folgende Einzelheiten an:

- Maschinenmodell und Seriennummer                      Niftylift Art.-Nr.
- Ausführliche Beschreibung des Teils                      Erforderliche Menge
- Bestellnummer    Bestimmungsadresse

## Maschineninformationen

Modellnummer ..... Kaufdatum.....  
 Seriennummer.....

Por favor, observe que en el momento de pasar a imprenta, toda la información, ilustraciones y descripciones contenidas en el presente documento eran válidas. Niftylift se reserva el derecho de cambiar, alterar, modificar o mejorar sus productos, sin obligación alguna de instalar dichos cambios en máquinas fabricadas anteriormente.

Los usuarios de este manual que requieran más información, deberán ponerse en contacto con nosotros en:

**Niftylift Ltd.**  
**Fingle Drive**  
**Stonebridge**  
**Milton Keynes**  
**MK13 OER**  
**United Kingdom**

**Niftylift Inc.**  
**1525 S.Buncombe Road**  
**Greer**  
**SC 29651**  
**USA**

Tel +44 (0)1908 857899  
 Fax +44 (0)1908 227460

1 864 968 8881  
 1 864 968 8836

## Pedido de piezas

Al realizar el pedido de una pieza de recambio para su producto Niftylift, sírvase especificar lo siguiente:

- Modelo y número de serie de la máquina      Número de pieza Niftylift
- Descripción completa de la pieza              Cantidad requerida
- Número de orden de compra                      Dirección de destino

## Información de la máquina

Número de modelo ..... Fecha de compra.....  
 Número de serie .....



# Parts Order Form (make copies for use)

**niftylift**

**Bon de commande de pièces** (Faire des photocopies pour vos commandes ultérieures)

tel +44 (0)1908 857899

**Bestellformular für Ersatzteile** (bitte Kopien zur zukünftigen Verwendung machen)

fax +44 (0)1908 227460

**Impreso de pedido de piezas** (haga copias para el uso)

www.niftylift.com

**name** nom name nombre

**date** date datum fecha

**address** adresse adresse dirección

**delivery address**

adresse de livraison

lieferadresse

dirección de entrega

**telephone** téléphone tel.-Nr. teléfono

**fax** fax-Nr.

**purchase order number**

numéro de commande

bestellnummer

número de orden de compra

**email** e-mail

<b>Part Number</b> Référence pièce Art.-Nr. Número de pieza	<b>description</b> description beschreibung descripción	<b>quantity</b> quantité menge cantidad	<b>price</b> prix preis precio
P			
P			
P			
P			
P			
P			
P			
P			

**Note:** If items have decals/labels attached, these are **not included** (unless stated otherwise), they must be ordered separately using the part (P) number printed on the decal.

**Remarque:** si les composants sont dotés d'autocollants/étiquettes, ceux-ci **ne sont pas inclus** (sauf avis contraire). Ils doivent être commandés séparément en indiquant le numéro de référence (P) imprimé sur l'autocollant.

**Anmerkung:** Wenn an Gegenständen Klebbilder/Etiketten angebracht sind, sind diese (sofern nicht anders angegeben) **nicht enthalten** und müssen separat mit Hilfe der auf den Klebbildern abgedruckten Teilenummern (P) bestellt werden.

**Nota:** Si los artículos llevan acopladas calcomanías/etiquetas, éstas **no se incluirán** (a menos que se indique lo contrario); deberán pedirse por separado utilizando el número de pieza (P) impreso en la calcomanía.

Alternatively, details of your order can be emailed to **service@niftylift.com**

Alternativement, le détail de votre commande peut nous être envoyé par email à **service@niftylift.com**

Als Alternative können Sie Ihre Bestellung auch an **service@niftylift.com** senden

Alternativamente, los detalles de su pedido pueden enviarse por e-mail a **service@niftylift.com**

## 1

## chassis

## page

1.1	Base assembly .....	1-2
1.2	Axle assembly .....	1-4
1.3	Stabiliser assembly .....	1-6

## 2

## superstructure

## page

2.1	Superstructure assembly .....	2-2
2.2	Power tray assembly .....	2-6
2.3	Diesel engine (Part 1) .....	2-8
2.4	Diesel engine (Part 2) .....	2-10
2.5	Control valve (6 spool) .....	2-12
2.6	Base control box .....	2-14
2.7	PCB control box .....	2-16
2.8	Safety box assembly .....	2-18
2.9	Main valve block .....	2-20
2.10	Drive Control valve block .....	2-22
2.11	Booms valve block .....	2-24

## 3

## boom assemblies

## page

3.1	Links assembly .....	3-2
3.2	Telescope assembly (Part 1) .....	3-6
3.3	Telescope assembly (Part 2) .....	3-12
3.4	Lift and Luffing cylinder .....	3-14
3.5	Levelling cylinders .....	3-16
3.6	Levelling valve .....	3-18
3.7	Energy chain .....	3-20

## 4

## cage and flyboom

## page

4.1	toughCage assembly .....	4-2
4.2	Cage assembly .....	4-4
4.3	Cage console assembly .....	4-6
4.4	SiOPS™ assembly .....	4-8
4.5	Cage rotate assembly .....	4-10
4.6	Flyboom assembly .....	4-12
4.7	Flyboom cylinder .....	4-14
4.8	Control panel assembly .....	4-16
4.9	Control valve (6 spool) .....	4-18

**5** **labelling**

5.1	Label locations .....	<b>5-2</b>
-----	-----------------------	------------

**Figures** **page**

1.1	Base assembly .....	<b>1-3</b>
1.2	Axle assembly .....	<b>1-5</b>
1.3	Stabiliser assembly .....	<b>1-7</b>
2.1	Superstructure assembly .....	<b>2-3</b>
2.2	Power tray assembly .....	<b>2-7</b>
2.3	Diesel engine (Part 1) .....	<b>2-9</b>
2.4	Diesel engine (Part 2) .....	<b>2-11</b>
2.5	Control valve (6 spool) .....	<b>2-13</b>
2.6	Base control box .....	<b>2-15</b>
2.7	PCB control box .....	<b>2-17</b>
2.8	Safety box assembly .....	<b>2-19</b>
2.9	Main valve block.....	<b>2-21</b>
2.10	Drive Control valve block .....	<b>2-23</b>
2.11	Booms valve block .....	<b>2-25</b>
3.1	Links assembly.....	<b>3-2</b>
3.2	Telescope assembly (Part 1) .....	<b>3-7</b>
3.3	Telescope assembly (Part 2) .....	<b>3-13</b>
3.4	Lift and Luffing cylinder .....	<b>3-15</b>
3.5	Levelling cylinders.....	<b>3-17</b>
3.6	Levelling valve .....	<b>3-19</b>
3.7	Energy chain .....	<b>3-21</b>
4.1	<b>toughCage</b> assembly.....	<b>4-3</b>
4.2	Cage assembly .....	<b>4-5</b>
4.3	Cage console assembly.....	<b>4-7</b>
4.4	SiOPS™ assembly .....	<b>4-9</b>
4.5	Cage rotate assembly .....	<b>4-11</b>
4.6	Flyboom assembly .....	<b>4-13</b>
4.7	Flyboom cylinder.....	<b>4-15</b>
4.8	Control panel assembly .....	<b>4-17</b>
4.9	Control valve (6 spool) .....	<b>4-19</b>
5.1	Label locations .....	<b>5-11</b>
5.2	Labels (1-37).....	<b>5-12</b>
5.3	Labels (38-55).....	<b>5-13</b>

table des matières  
inhaltsverzeichnis  
tabla del contenido



## Issue Records

Chapter	Pages	Issue	Date	Comments/Changes
Introduction	8	10	11/2020	Tenth issue
1	8	9	11/2020	Revisions on pages 1-2 & 1-4
2	26	9	08/2019	Ninth issue
3	22	6	08/2019	Revisions on pages 3-6 and 3-20/21
4	20	8	08/2019	Eighth issue
5	14	6	11/2020	Sixth issue

\* When ordering parts for machines other than the stated serial number, it is advisable to contact the Parts Department;

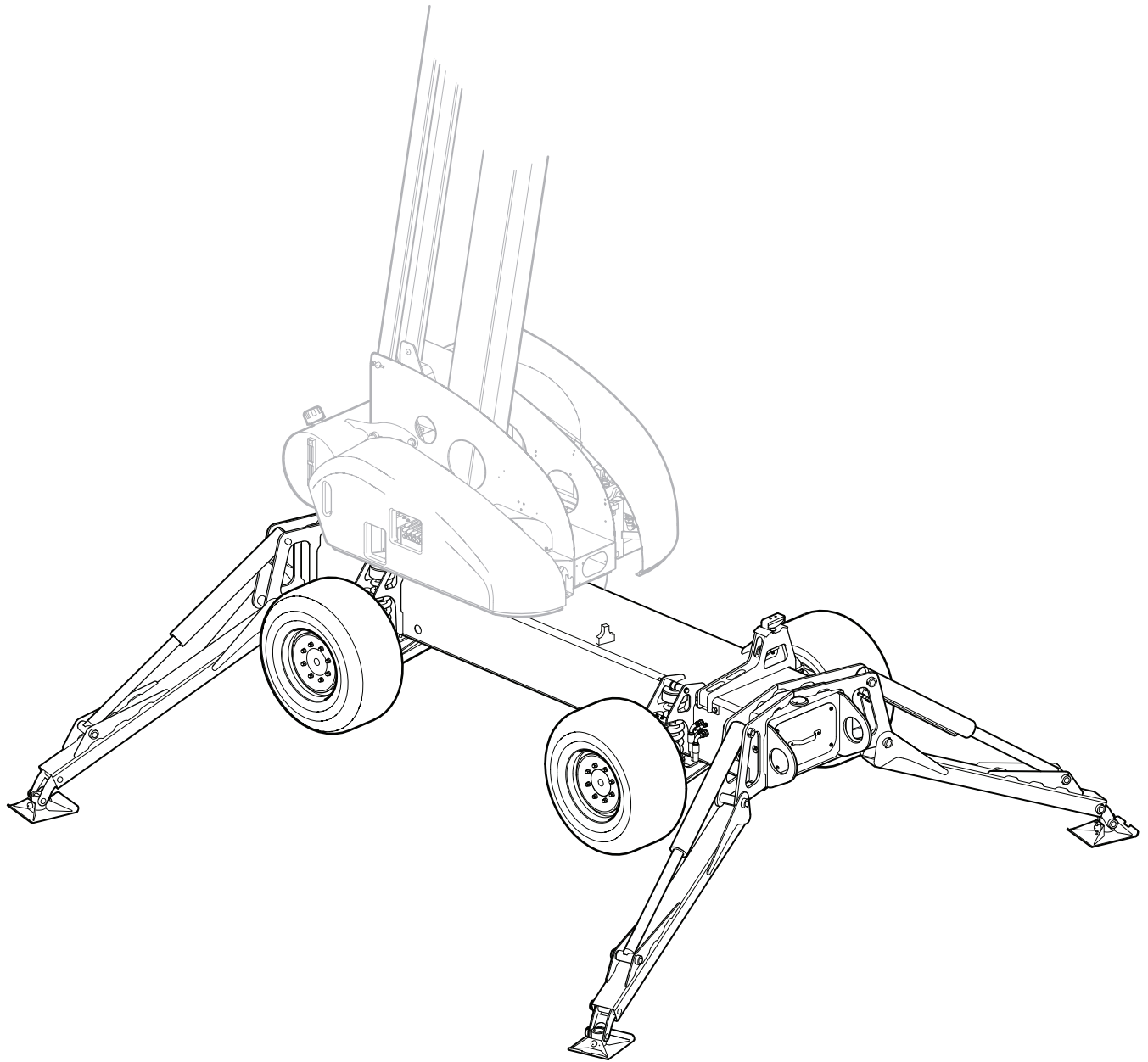
	United Kingdom	USA
<i>Tel</i>	<b>+44 (0)1908 857899</b>	<b>1 864 968 8881</b>
<i>Fax</i>	<b>+44 (0)1908 227460</b>	<b>1 864 968 8836</b>
<i>Email</i>	<b>service@niftylift.com</b>	<b>niftyusa@niftylift.com</b>



**nifty**

**SD210 (SD64)**

*illustrated parts manual*  
*Manuel illustré de pièces détachées*  
*Illustrierte Stückliste*  
*Manual de piezas ilustrado*



**1**

**chassis assembly**

french  
german  
spanish

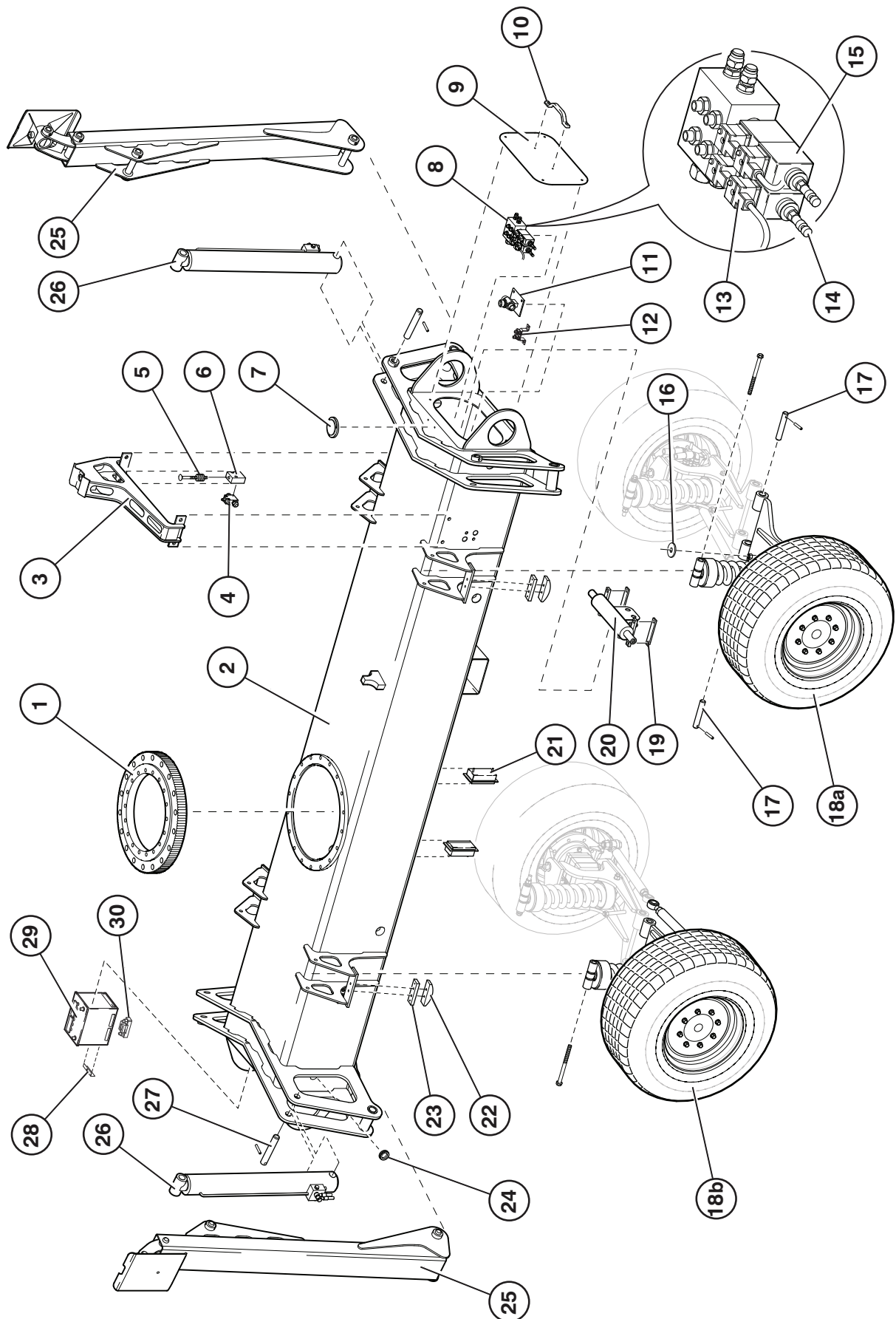


## 1.1 Base assembly

Item	Description				Part Number
1	Slew Ring				P29807
2	Base				P21579
3	Booms down rest				P17443
4	Microswitch				P30387
5	Spring				P13372
6	Block				P31205
7	Spirit Level				P17801
8	Solenoid assembly <i>Includes items 14 &amp; 15</i>				P16407
9	Access Panel				P17688
10	Handle				P10241
11	Bracket & T-piece				P23923
12	Bracker/T-piece 1/4"				P24569
13	Solenoid Cap				P18461
14	Cartridge				P16850
15	Coil				P15697
16	Washer				P11608
17	Pin - 146mm				P12955
18	Swing Axle Assy a) RH Front/LH Rear b) LH Front/RH Rear <i>See "Axle assembly" on page 1-4.</i>				N/A
19	Wear pad				P19220
20	Steer cylinder * Seal kit				P16729 P25484
21	Junction box				P30417
22	Nylon D-Pad				P16877
23	Rubber spacer				P16883
24	Grommet				P11283
25	Stabiliser <i>See "Stabiliser assembly" on page 1-6.</i>				N/A
26	Cylinder <i>See "Stabiliser assembly" on page 1-6.</i>				P31678
27	Pin - 169mm				P15952
28	Battery clamp				P12295

\* Not illustrated

<b>29</b>	Battery				<b>P15333</b>
<b>30</b>	Fuse - 125A Fuse holder				<b>P12696 P11976</b>



french  
german  
spanish

**chassis assembly**

**Figure 1.1 Base assembly**

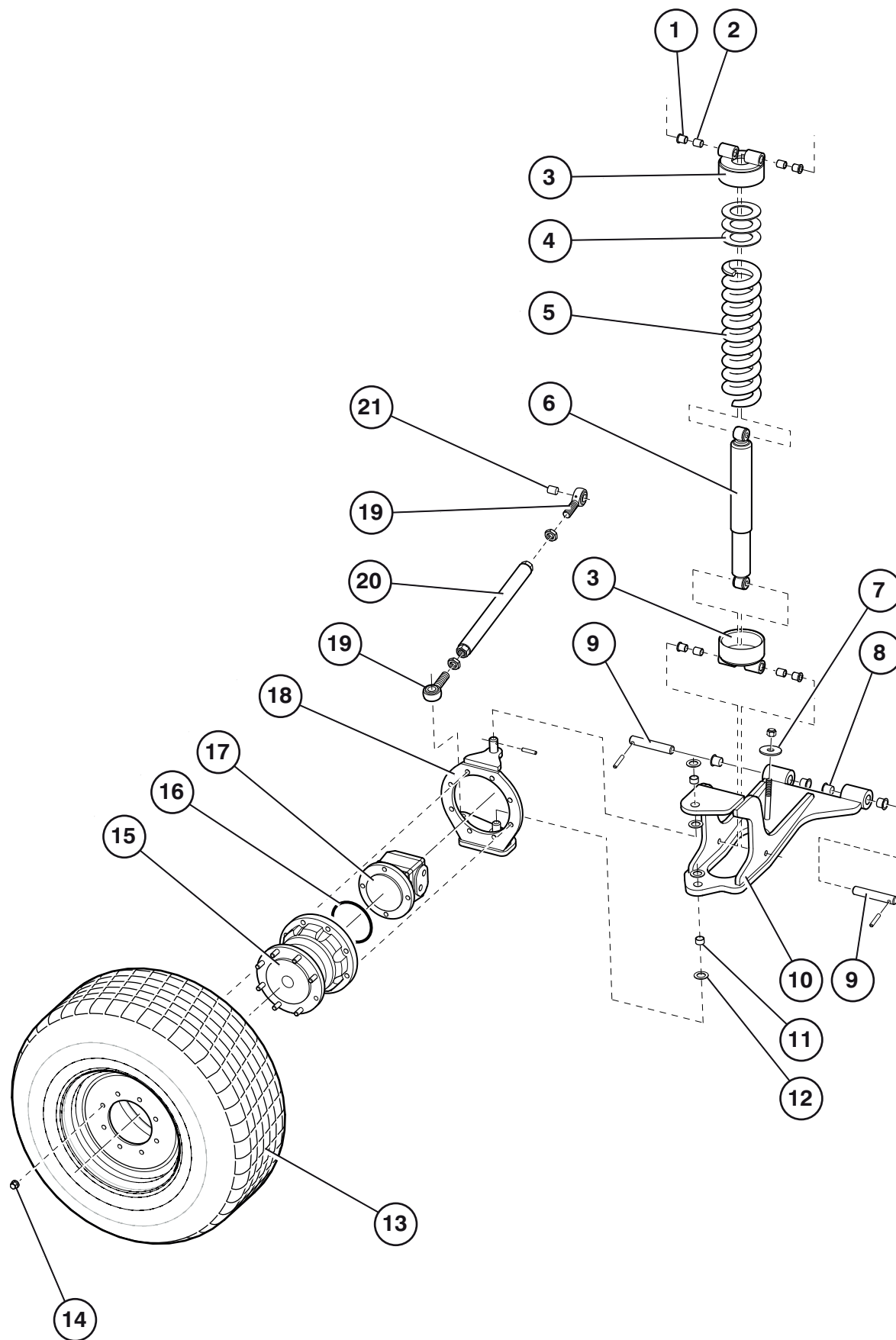
## 1.2 Axle assembly

Item	Description				Part Number
1	Bush (Top hat)				P17746
2	Bush				P17748
3	Cap - Suspension				P17262
4	Shim (Rear Axle Only)				P17392
5	Spring				P16900
6	Shock absorber				P17263
7	Washer				P11608
8	Bush (Top hat)				P12250
9	Pin - 146mm				P12955
10	Swing axle RH Front/LH Rear *LH Front/RH Rear				P16624 P16606
11	Bush				P20077
12	Washer				P10594
13	Wheel & Tyre Tyre ONLY			Contact Niftylift	P30743 Call
14	Wheel nut				P12828
15	Gearbox				P25480
16	Seal kit (Motor/Gearbox)				P18122
17	Motor				P33320
18	Steer hub RH Front/LH Rear *LH Front/RH Rear				P16607 P16608
19	Track rod end				P16706
20	Track rod				P16617
21	Shim				P17741

\* Not illustrated

french  
german  
spanish

chassis assembly



french  
german  
spanish

**chassis assembly**

**Figure 1.2 Axle assembly**

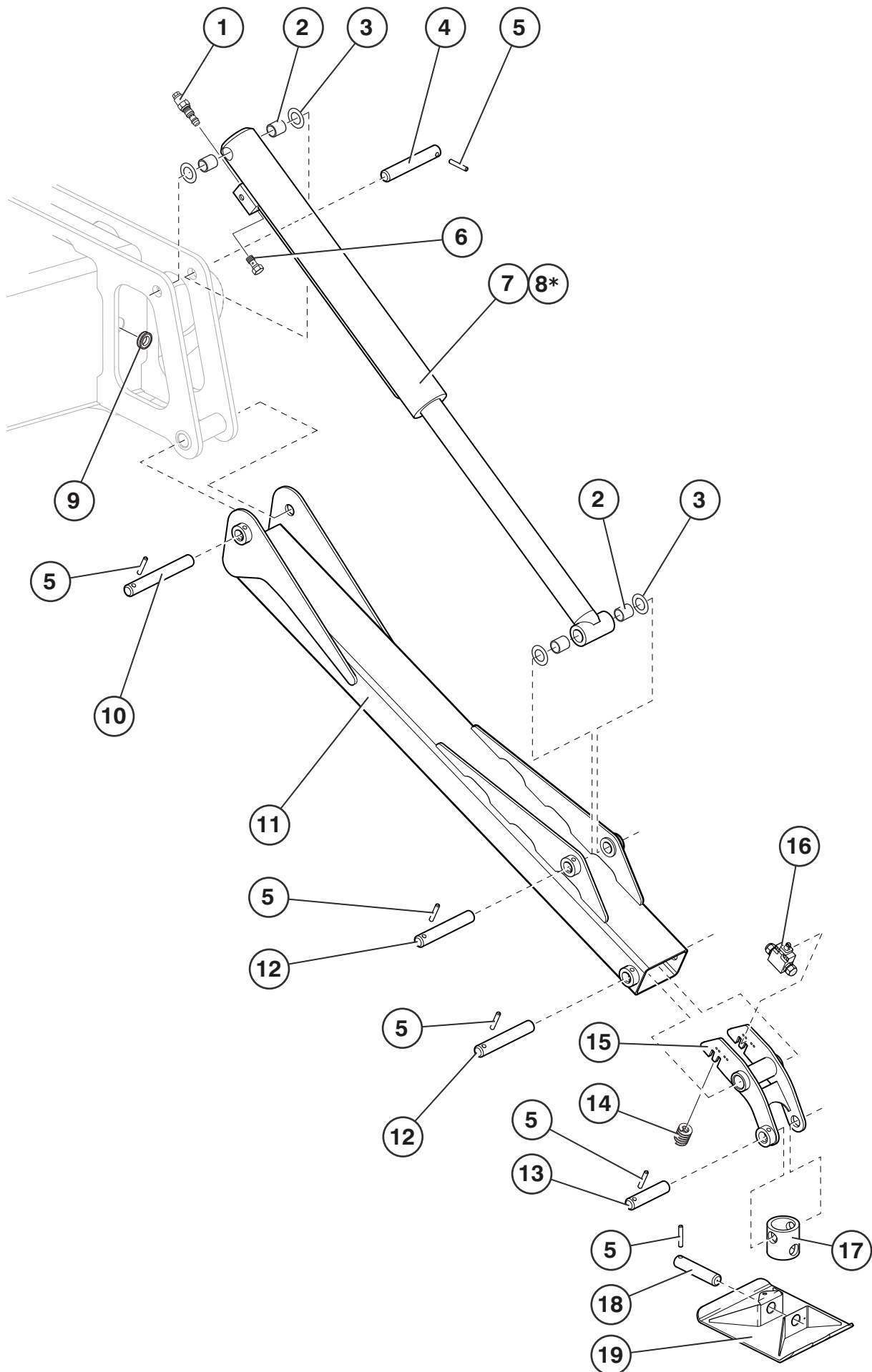
### 1.3 Stabiliser assembly

Item	Description				Part Number
1	Load valve				P11956
2	Bush				P10880
3	Washer - plastic				P10511
4	Pin - 169 mm				P15952
5	Roll pin (10x50mm)				N/A
6	Check valve				P17317
7	Cylinder				P31678
8 *	Seal kit for item 7				P27072
9	Grommet				P11283
10	Pin - 220mm				P19219
11	Stabiliser				P16632
12	Pin - 180mm				P19218
13	Pin - 130mm				P15639
14	Spring				P13372
15	Rocker arm				P16709
16	Microswitch				P18937
17	Swivel block				P15576
18	Pin - 140mm				P15958
19	Jack foot				P21035

\* Not illustrated

french  
german  
spanish

chassis assembly



french  
german  
spanish

**chassis assembly**

**Figure 1.3 Stabiliser assembly**

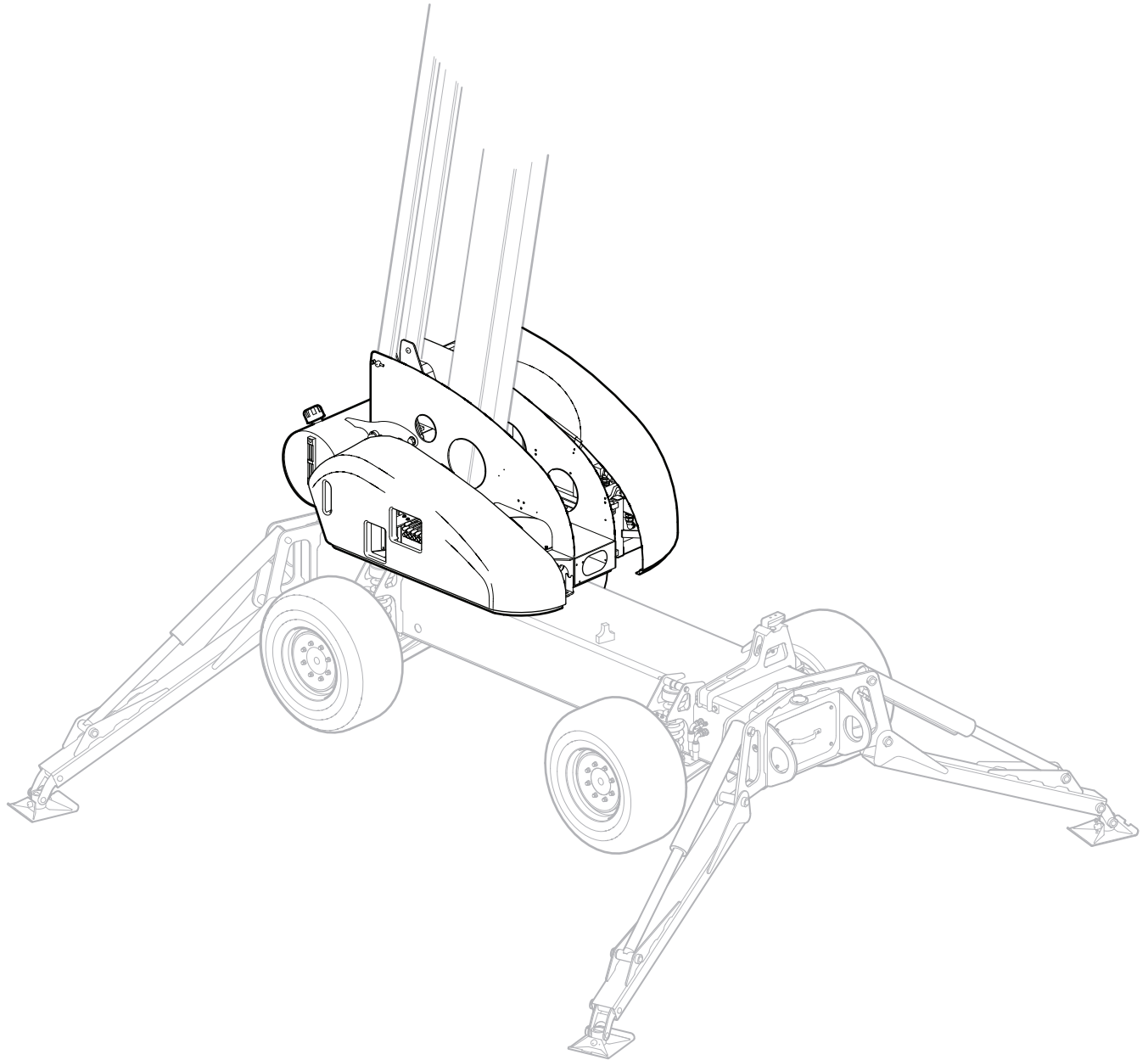




**nifty**

**SD210 (SD64)**

*illustrated parts manual*  
*Manuel illustré de pièces détachées*  
*Illustrierte Stückliste*  
*Manual de piezas ilustrado*



**2**



**superstructure**

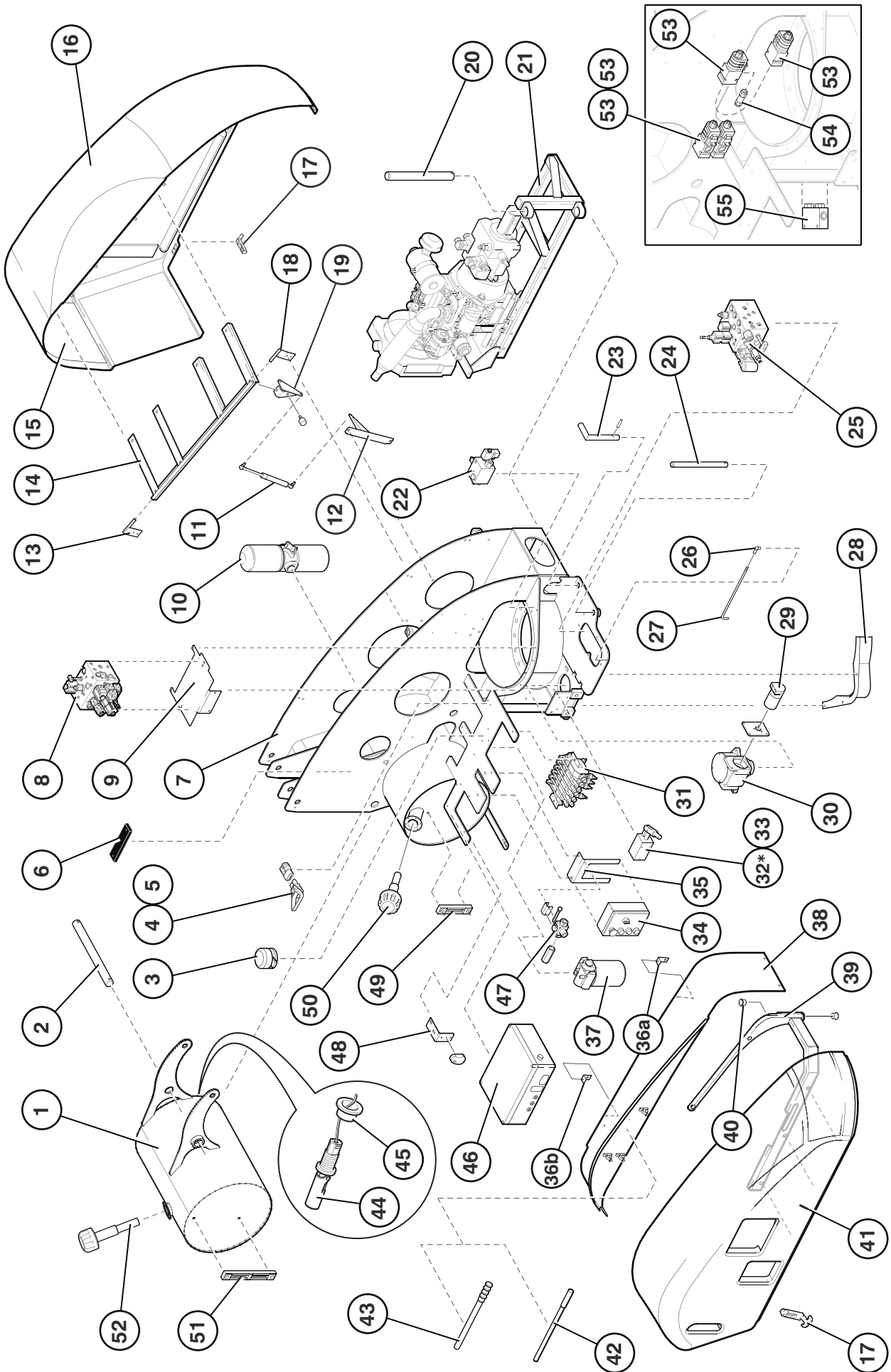
french  
german  
spanish

## 2.1 Superstructure assembly

Item	Description				Part Number
1	Diesel Tank				P17407
2	Pin - 436 mm				P16465
3	Tilt sensor				P35757
4	Anderson connector				P17083
5	Handle - 2 pole				P17084
6	Rubber pad				P17886
7	Superstructure				P20162
8	Main valve block See "Main Valve block" on page 2-22.				P18450
9	Mounting plate				P16127
10	Suction Filter Cartridge ONLY				P24825 P24838
11	Gas strut				P16953
12	Bracket - (Gas Strut)				P32910
13	Hinge - Left Rear				P18264
14	Canopy support				P17647
15	Mesh - Canopy				P16593
16	Canopy - Power tray				P16423
17	Rubber catch				P14454
18	Hinge - Left Front				P13361
19	Bracket - (Canopy) Rubber buffer				P17708 P30056
20	Pin - 367 mm				P12693
21	Power tray assembly See "Power tray assembly" on page 2-6.				N/A
22	Booms control valve See "Booms Valve block" on page 2-26.				P18449
23	Slew locking pin				P16579
24	Pin - 310mm (Canopy)				P16578
25	Drive Control Valve See "Drive Control Valve block" on page 2-24.				P18448
26	Ball joint - Stay				P16744
27	Stay - Control canopy				P16553

french  
german  
spanish

superstructure



french  
german  
spanish

**superstructure**



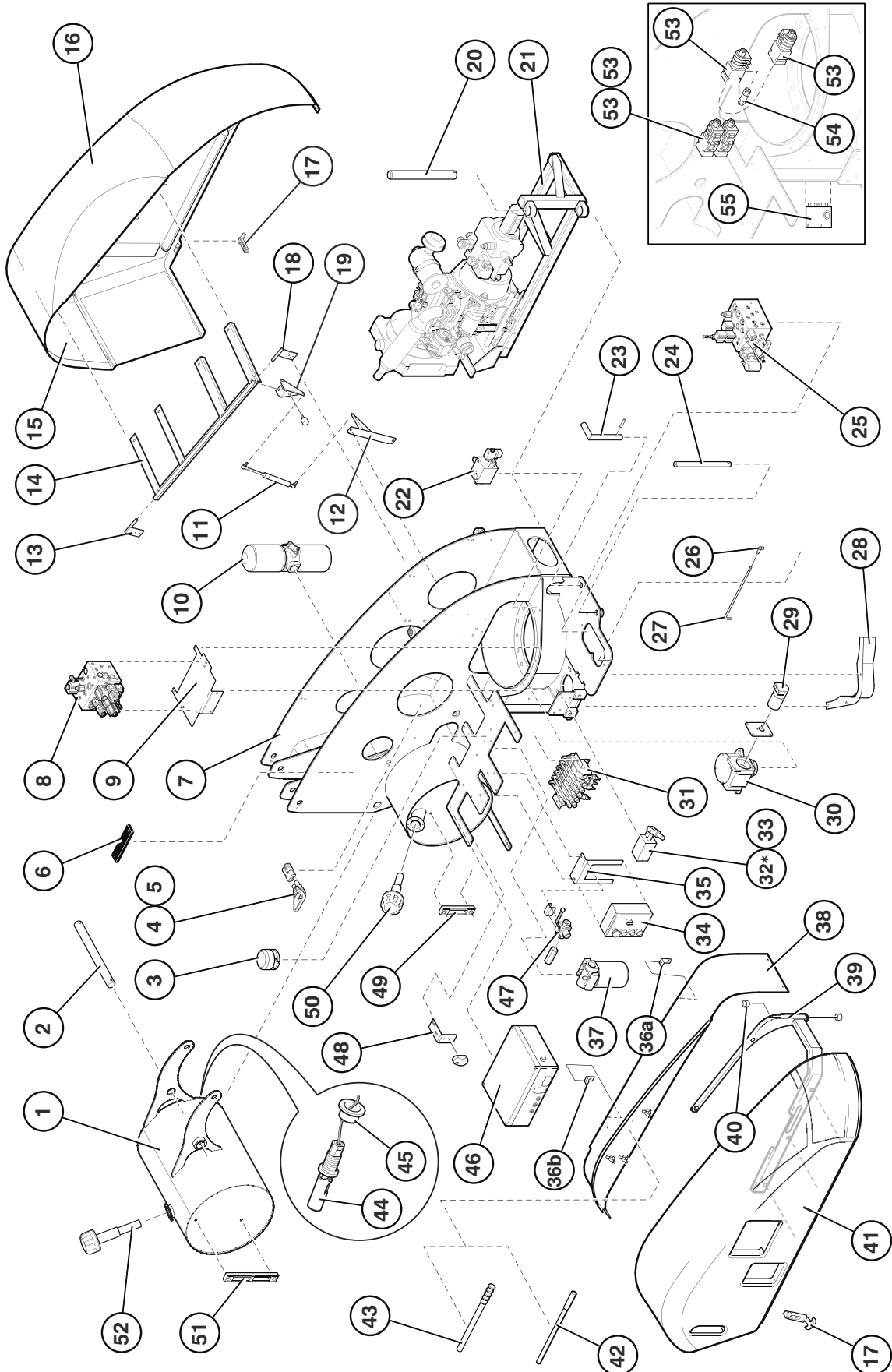
Figure 2.1 Superstructure assembly

## 2.1 continued

Item	Description				Part Number
28	Slew guard				P16061
29	Slew motor				P15686
30	Slew gearbox				P15672
31	Control Valve See "Control valve (6 spool)" on page 2-14.				P22646
32 *	Seal kit for item 33				P22605
33	Hand pump				P22570
34	Base control box See "Base control box" on page 2-16.				P29013
35	Mounting plate				P16538
36	a) Bracket b) Bracket				P16027 P28096
37	Return filter assy. Cartridge ONLY				P16448 P16976
38	Canopy - Central				P16563
39	Support - Canopy				P18382
40	Bush - Top hat				P12250
41	Canopy - Control				P16461
42	Handle - Drive control valve				P17662
43	Handle - Handpump				P10624
44	Level sensor				P12935
45	Rubber grommet				P15549
46	PCB box See "PCB control box" on page 2-18.				P33547 or P33550
47	Diverter valve Mounting bracket Non-return valve 3/8"				P10702 P29345 P10138
48	Bracket - Canopy stop Rubber buffer				P24568 P16982
49	Temp/Level gauge - Oil				P13253
50	Filler breather				P21130
51	Temp/Level gauge - Fuel				P13252
52	Filler cap/strainer				P16464

\* Not illustrated

<b>53</b>	Valve, Dump				<b>P26939</b>
<b>54</b>	Non-return valve 1/4"				<b>P10107</b>
<b>55</b>	Check valve, Dual				<b>P28809</b>



french  
german  
spanish

**superstructure**

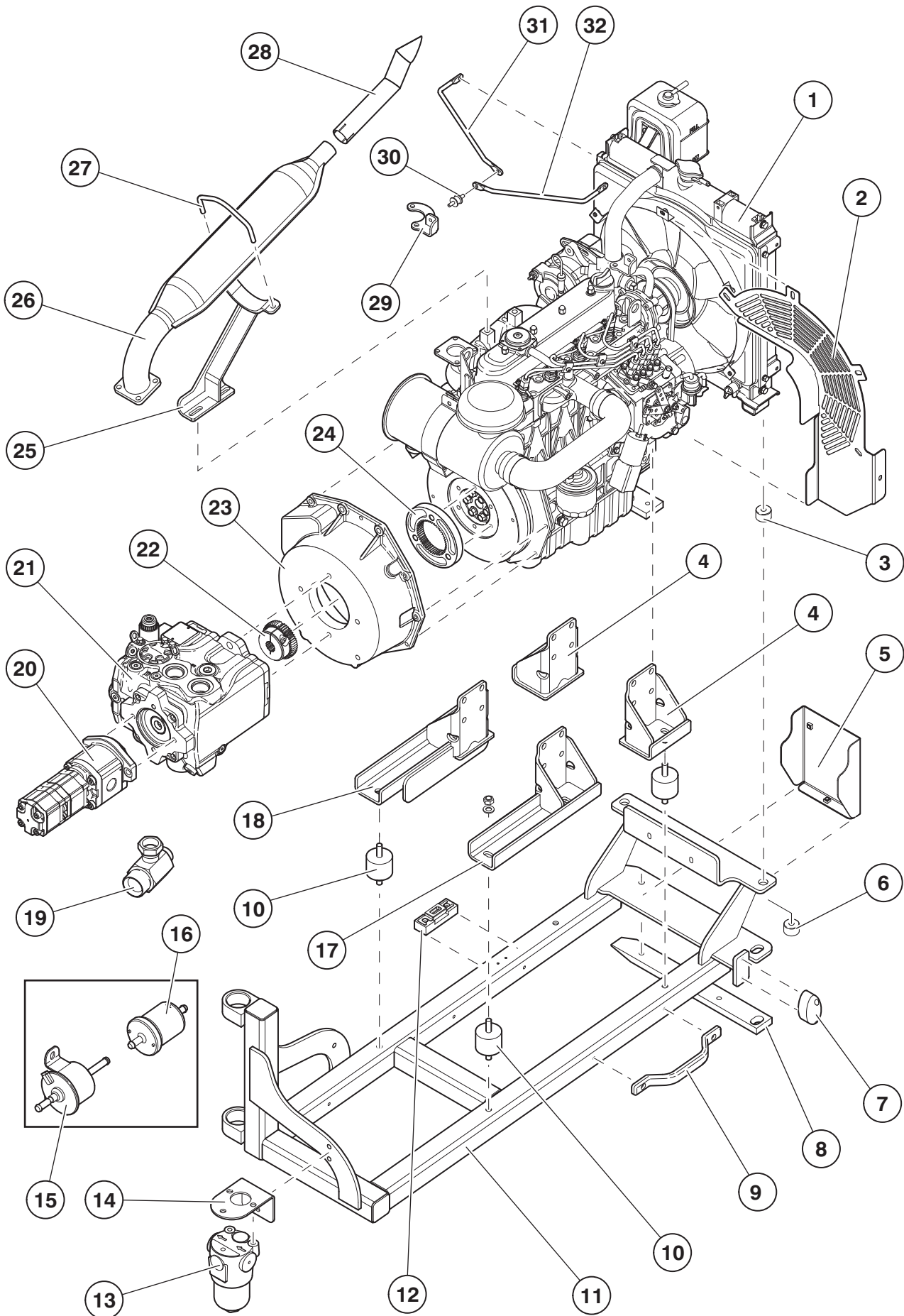
**Figure 2.1 Superstructure assembly**

## 2.2 Power tray assembly

Item	Description				Part Number
1	Diesel engine See "Diesel engine - Part 1" on page 2-10.				P32617
2	Guard - Fan				P32053
3	Upper mount - Radiator				P31903
4	Engine support (Front)				P32914
5	Guard plate				P32916
6	Lower mount - Radiator				P31902
7	Rubber buffer				P16982
8	Wear pad				P35288
9	Handle				P10241
10	Engine mount				P27538
11	Power tray				P32915
12	Fuse - 125A Fuse holder				P12696 P11976
13	Pressure Filter Element ONLY * Indicator *				P26267 P26273 P24945
14	Bracket				P26326
15	Fuel pump				P24978
16	Fuel filter - inline				P13324
17	Engine support (Rear RH)				P32913
18	Engine support (Rear LH)				P32912
19	T-Piece				P18641
20	Engine pump				P32541
21	Transmission pump				P32632
22	Drive hub				P19802
23	Bell housing				P17425
24	Drive flange				P19801

\* Not illustrated

issue 09



french  
german  
spanish

**superstructure**



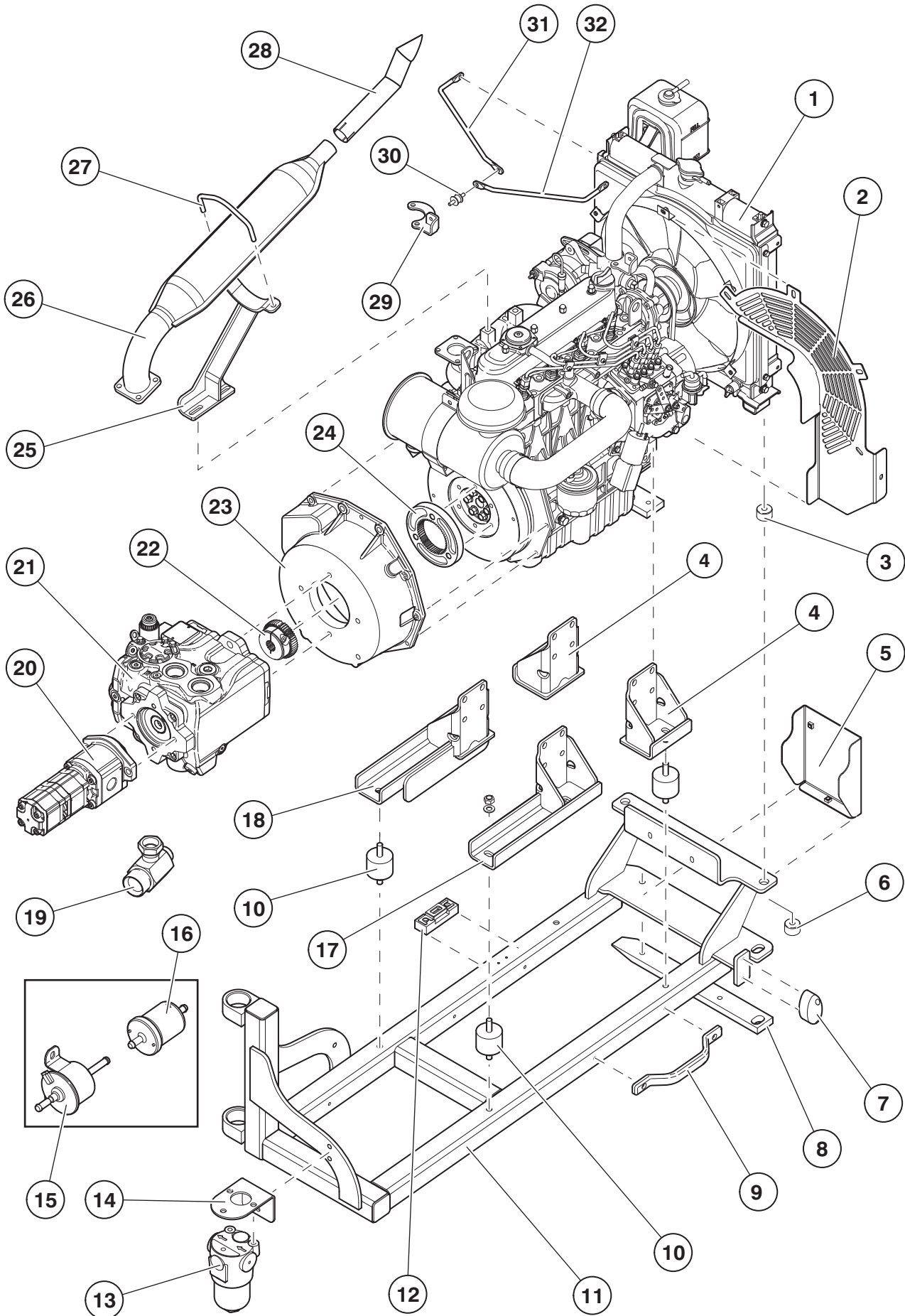
**Figure 2.2 Power tray assembly**

## 2.2 continued

Item	Description				Part Number
25	Support bracket				P24594
26	Muffler				P17588
27	Clamp				P16994
28	Exhaust pipe end				P16863
29	Bracket				P32451
30	Cushion, rubber				P32452
31	Radiator support LH				P32450
32	Radiator support RH				P32449

french  
german  
spanish

superstructure



french  
german  
spanish

**superstructure**

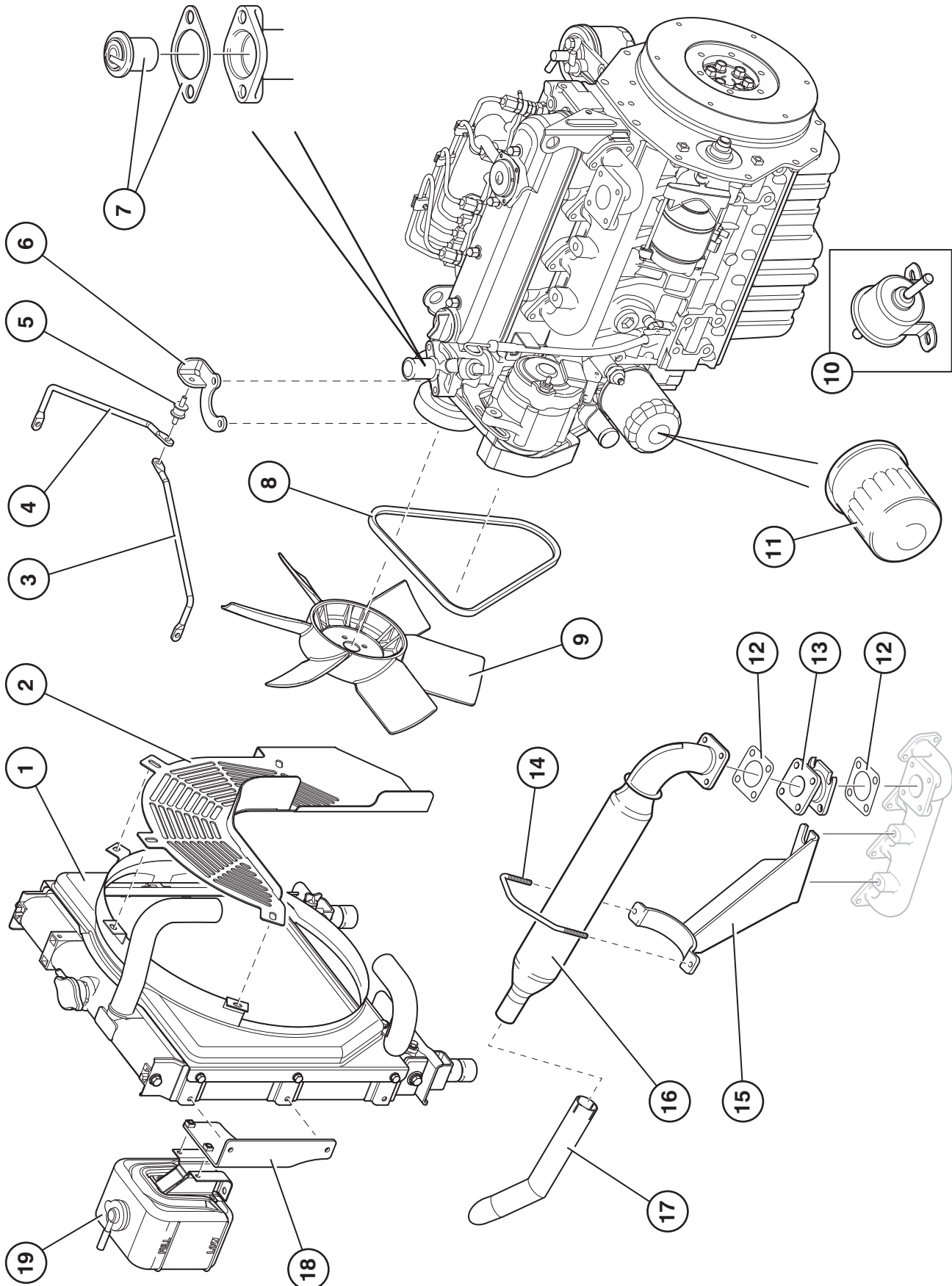
**Figure 2.2 Power tray assembly**

## 2.3 Diesel engine - Part 1

Item	Description				Part Number
	V1505 engine				P32617
1	Radiator assembly				P24966
2	Guard - Fan				P32053
3	Radiator support LH				P32450
4	Radiator support RH				P32449
5	Cushion, rubber				P32452
6	Bracket				P32451
7	Thermostat Gasket				P15252 P15259
8	V-belt (Alternator)				P15256
9	Pusher fan				P24973
10	Fuel pump				P24978
11	Oil filter				P15249
12	Muffler gasket				P13282
13	Spacer - Exhaust				P17888
14	Clamp				P16994
15	Support bracket				P24594
16	Muffler				P17588
17	Exhaust pipe end				P16863
18	Bracket - tank				P32782
19	Reserve tank kit				P24967

french  
german  
spanish

superstructure



french  
german  
spanish

**superstructure**

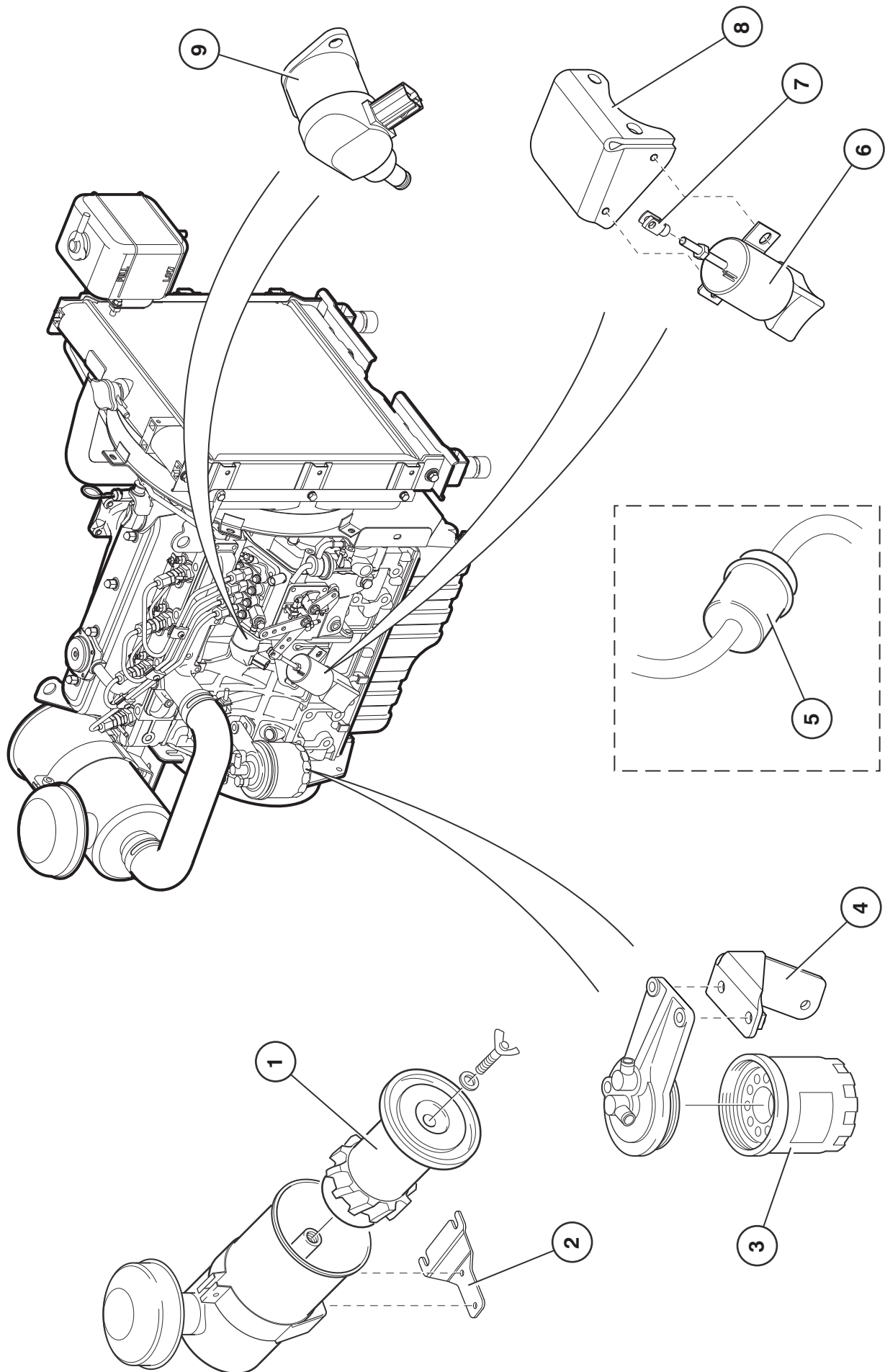
**Figure 2.3 Diesel engine (Part 1)**

## 2.4 Diesel engine - Part 2

Item	Description				Part Number
1	Air filter element				P15254
2	Support bracket				P34088
3	Fuel filter - Cartridge ONLY				P15251
4	Mounting bracket				P33034
5	In-line fuel filter (Located in chassis)				P13324
6	Throttle solenoid				P18796
7	Clevis end				P14284
8	Mounting bracket				P33039
9	Stop solenoid				P31449

french  
german  
spanish

superstructure



french  
german  
spanish

superstructure

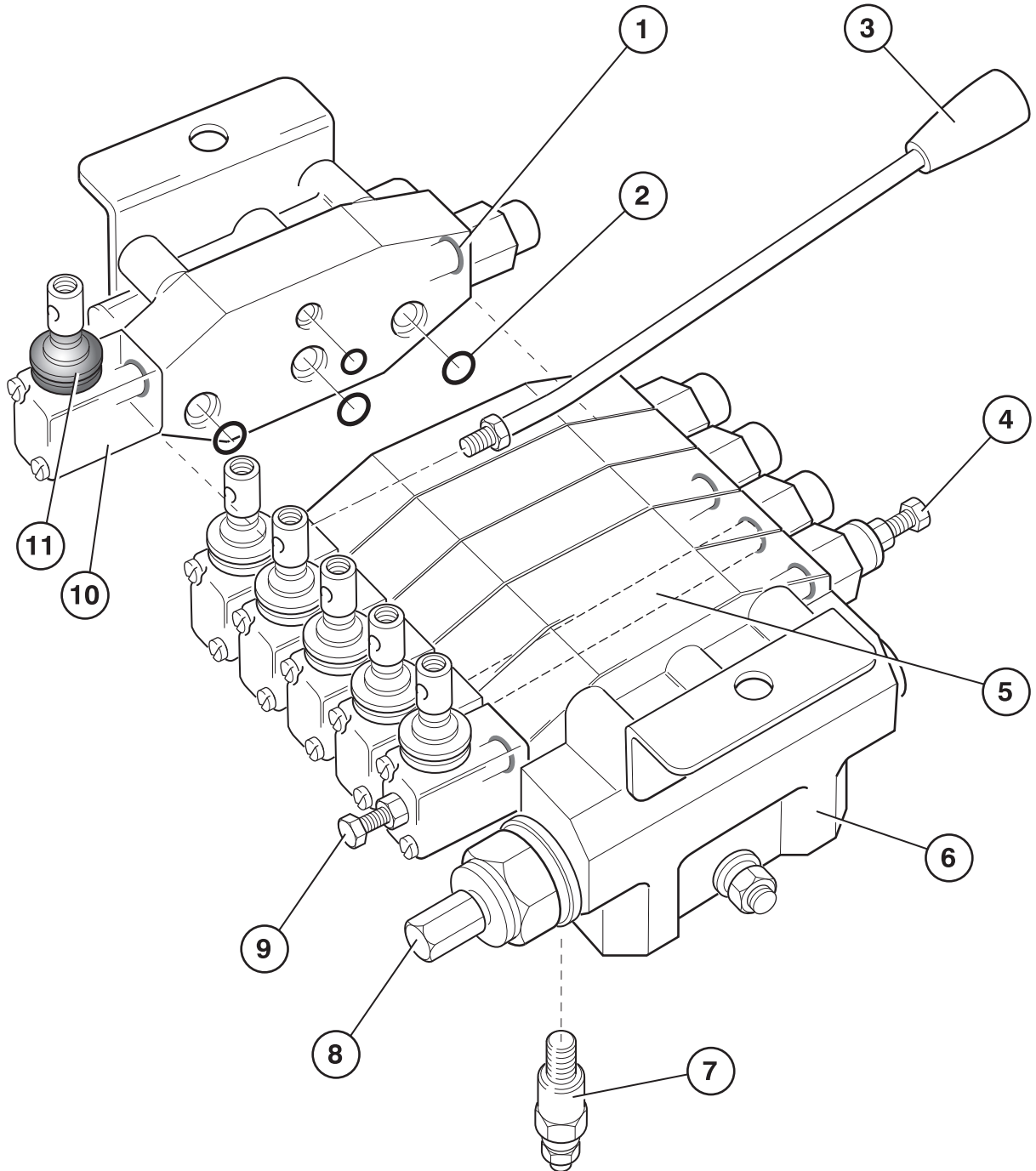
Figure 2.4 Diesel engine (Part 2)

## 2.5 Control valve (6 spool)

Item	Description				Part Number
1	Valve seal kit				P10707
2	Interface seal kit				P10706
3	Lever (200mm)				P70336
4	Stroke restrictor/ Return spring				P16384
5	Spool (AS)				P15510
6	Valve assembly - 6 spool				P22646
7	Pressure relief valve Telescope spool Levelling spool				P10879 P10879
8	Pressure relief valve				P70335
9	Stroke restrictor/ End cap				P16383
10	Lever cap				P70338
11	Rubber boot				P12225

french  
german  
spanish

superstructure



french  
german  
spanish

**superstructure**



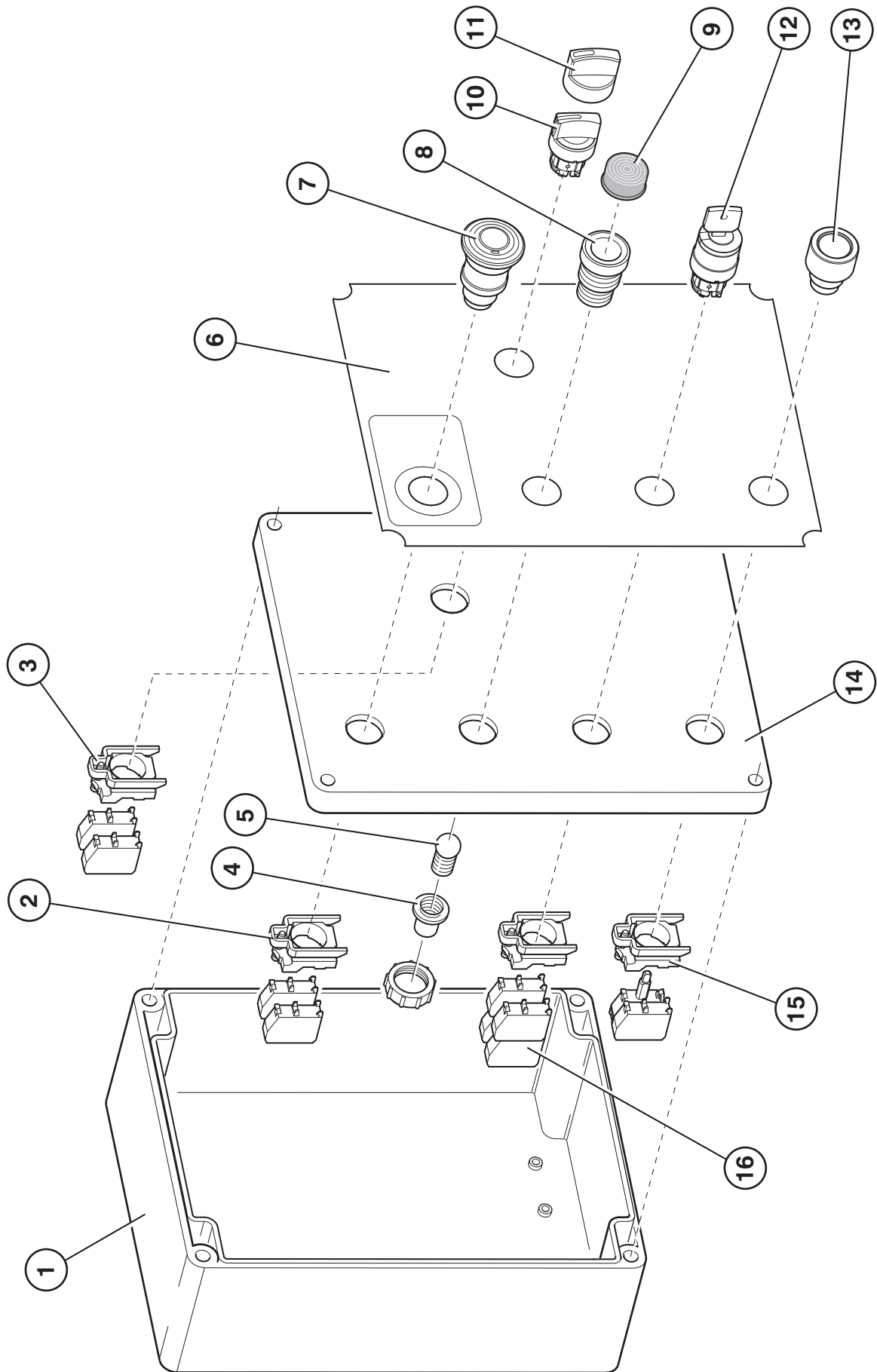
**Figure 2.5 Control valve (6 spool)**

## 2.6 Base control box

Item	Description			Part Number
	Complete assembly			P29013
1	Box (Includes item 14)			P10687
2	Base mount Contact - NC			P24322 P24324
3	Base mount Contact - NO Contact - NO			P24322 P24323 P24323
4	Lamp holder			P11790
5	Lamp			P11791
6	Decal (Label)			P16752
7	E-Stop button USA Only			P24317 P28564
8	Lamp housing			P14276
9	Lens			P11295
10	Selector switch			P24327
11	Rubber boot			P24319
12	Key switch Rubber boot			P24320 P24321
13	Button - Green			P24333
14	Box lid (see item 1)			N/A
15	Base mount Contact - NO LED - Green			P24322 P24323 P24338
16	Base mount Contact - NC Contact - NO			P24322 P24324 P24323

french  
german  
spanish

superstructure



french  
german  
spanish

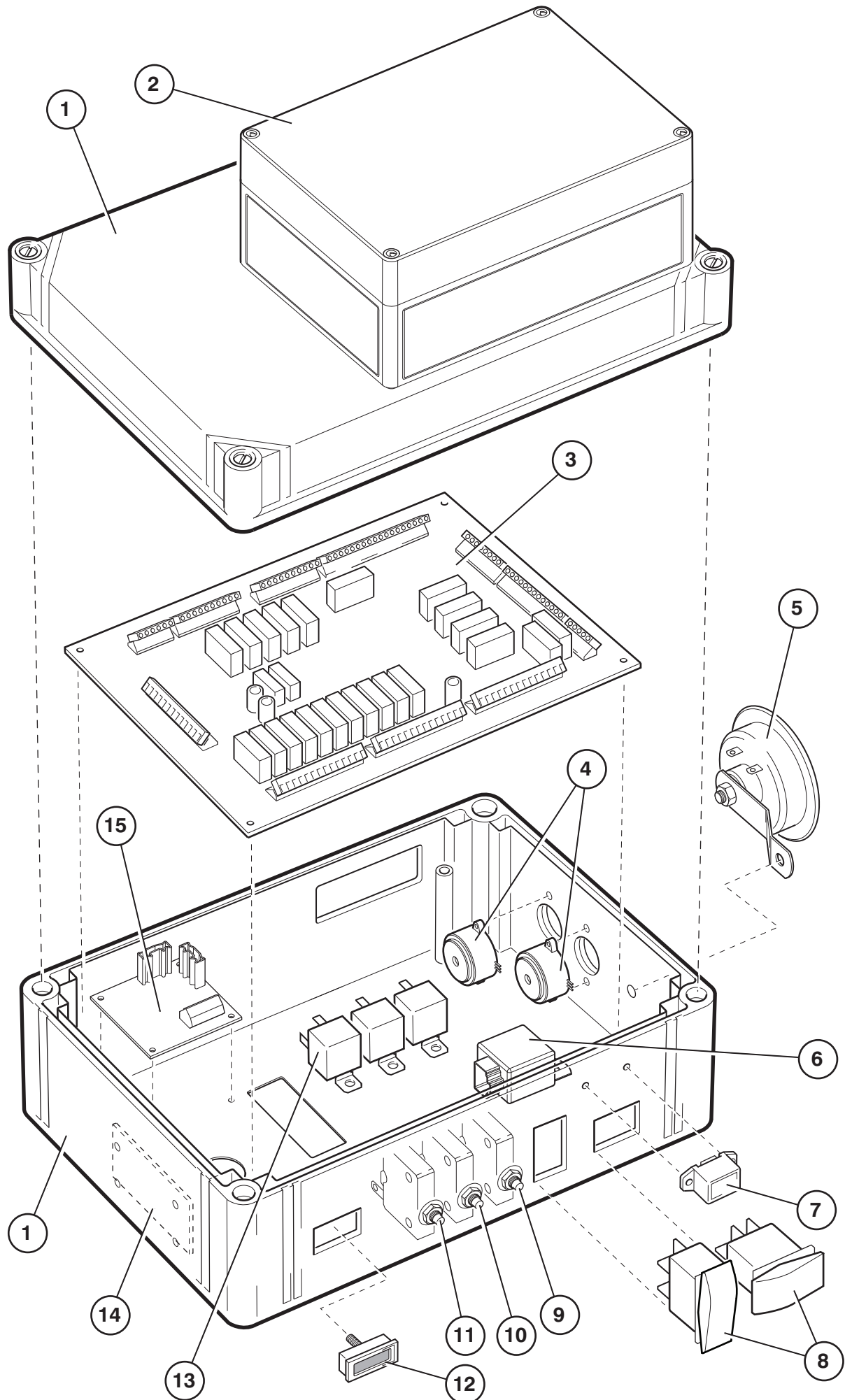
**superstructure**

## 2.7 PCB control box

Item	Description				Part Number
	Complete assembly <b>USA</b> (Item 2 not included)				<b>P33547</b> <b>P33550</b>
<b>1</b>	ABS box				<b>P12516</b>
<b>2</b>	Safety box assembly See "Safety box assembly" on page 2-20.				<b>P29014</b>
<b>3</b>	PCB - Main control				<b>P17513</b>
<b>4</b>	Sounder				<b>P11112</b>
<b>5</b>	Horn				<b>P14359</b>
<b>6</b>	Timer relay				<b>P10664</b>
<b>7</b>	Buzzer				<b>P10341</b>
<b>8</b>	Switch (Carling)				<b>P11763</b>
<b>9</b>	Circuit breaker - 10A				<b>P11719</b>
<b>10</b>	Circuit breaker - 15A				<b>P11050</b>
<b>11</b>	Circuit breaker - 35A				<b>P13529</b>
<b>12</b>	Hour meter				<b>P11410</b>
<b>13</b>	12v Relay				<b>P10340</b>
<b>14</b>	PCB - Throttle				<b>P14175</b>
<b>15</b>	PCB - PWM Driver				<b>P33549</b>

french  
german  
spanish

superstructure



french  
german  
spanish

**superstructure**



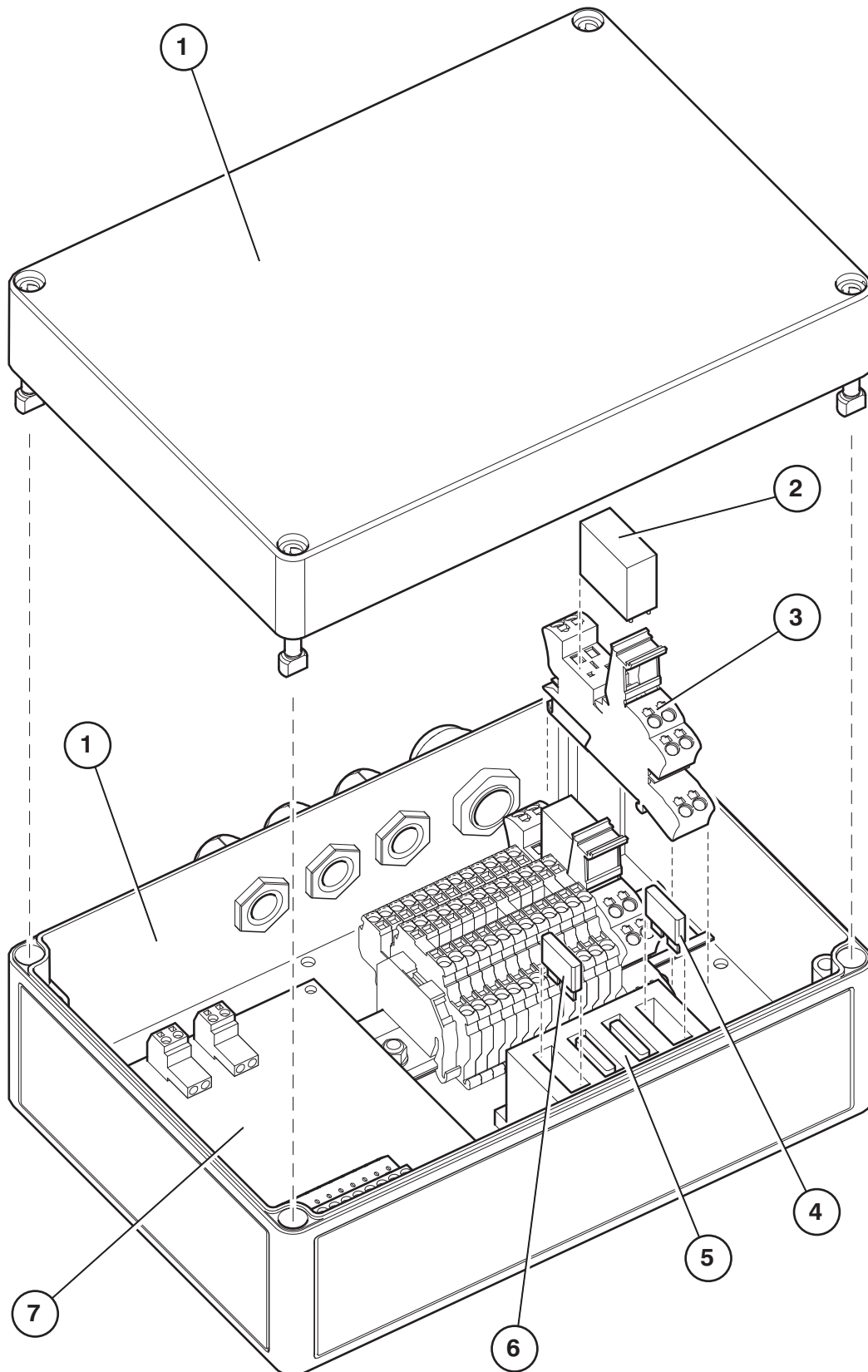
**Figure 2.7 PCB control box**

## 2.8 Safety box assembly

Item	Description				Part Number
	Complete assembly				<b>P29014</b>
<b>1</b>	Box ONLY				<b>P28603</b>
<b>2</b>	Safety Relay				<b>P18486</b>
<b>3</b>	Base, Relay				<b>P25856</b>
<b>4</b>	Blade fuse - 2A				<b>P22192</b>
<b>5</b>	Fuse holder				<b>P25854</b>
<b>6</b>	Blade fuse - 3A				<b>P24876</b>
<b>7</b>	PCB				<b>P27246</b>

french  
german  
spanish

superstructure



french  
german  
spanish

**superstructure**



**Figure 2.8 Safety Box Assembly**

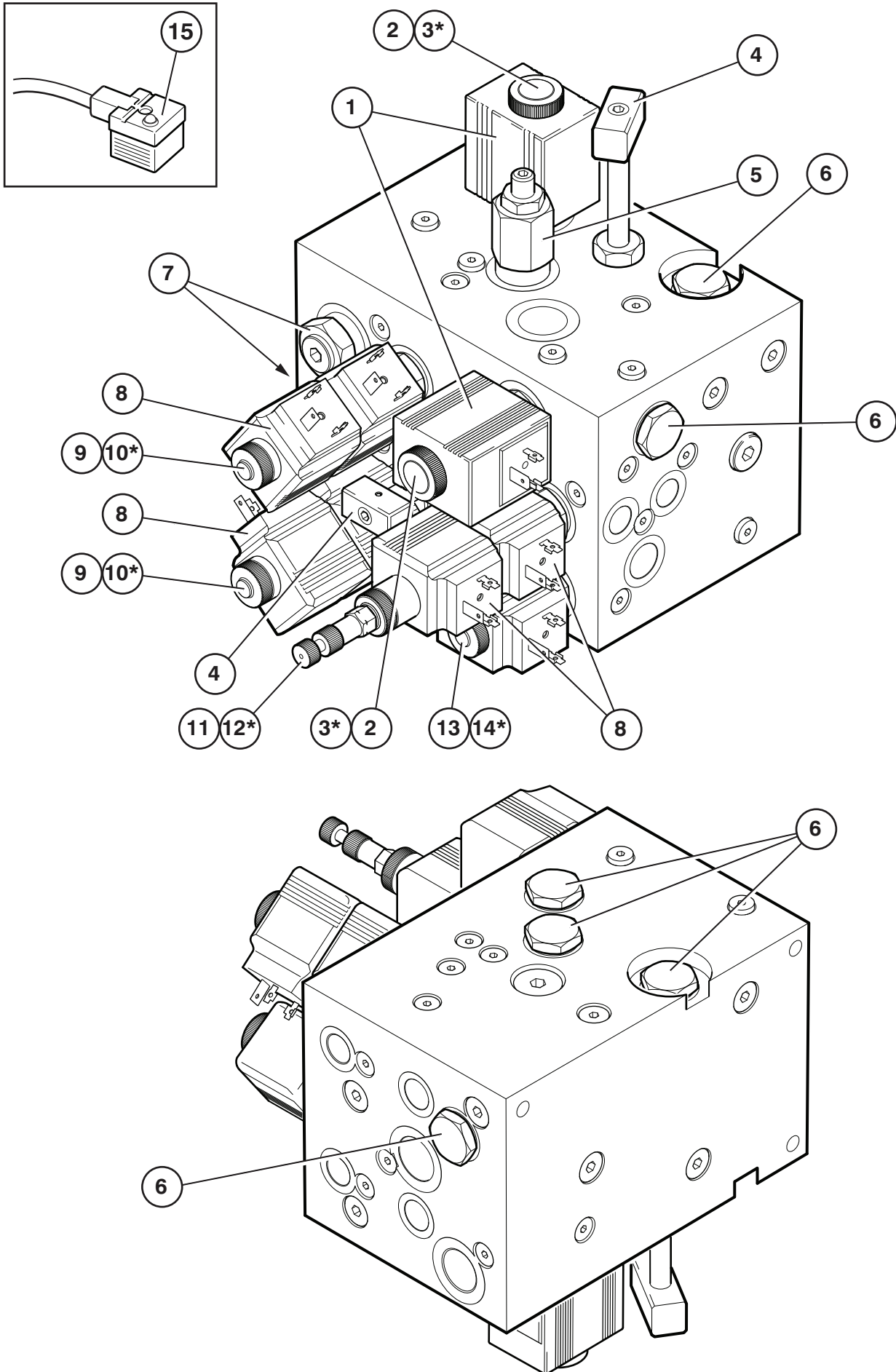
## 2.9 Main Valve block

Item	Description				Part Number
	Complete assembly				P18450
1	Coil ONLY				P19397
2	Solenoid cartridge (Includes item 1) CT1 & CT18				P19398
3 *	Seal kit for item 2				P15710
4	Release valve CT17 & CT20				P15705
5	Relief cartridge 100 bar - CT5				P19399
6	Check cartridge CT4, CT6, CT8, CT11, CT12 & CT19				P19400
7	Check cartridge CT9 & CT10				P19401
8	Coil - 12v				P15696
9	Solenoid cartridge (Includes item 8) CT13 & CT14				P19402
10 *	Seal kit for item 9				P15733
11	Solenoid cartridge (includes item 8) CT7				P15964
12 *	Seal kit for item 11				P15733
13	Solenoid cartridge (Heavy Duty Coil) CT2				P19403
14 *	Seal kit for item 13				P19404
15	Connector				P13089

\* Not illustrated

french  
german  
spanish

superstructure



french  
german  
spanish

**superstructure**

## 2.10 Drive Control Valve block

Item	Description				Part Number
	Complete assembly				P18448
1	Handle - handpump				P17662
2	Solenoid cartridge CT15				P15964
3*	Seal kit for item 2				P15733
4	Coil - 12v				P15696
5	Solenoid cartridge (includes item 7) CT5				P17833
6*	Seal kit for item 5				P19404
7	Coil ONLY				P19410
8	Pressure reducing cartridge - 30 Bar CT4				P17664
9	Check cartridge - CT7, CT13 & CT14				P17317
10	Check cartridge - CT1				P19405
11	Check cartridge - CT6				P19406
12	Indicator valve - CT3				P16777
13	Check cartridge - CT18				P19407
14	Check cartridge - CT9 & CT16				P19400
15	Brake release valve CT8				P15705
16	Solenoid cartridge CT10				P17666
17	Handpump - CT11				P17663
18	Relief cartridge 180 Bar - CT17				P19408
19	Relief cartridge 70 Bar - CT12				P19409
20*	Seal kit for item 19				P13975
21	Connector				P13089

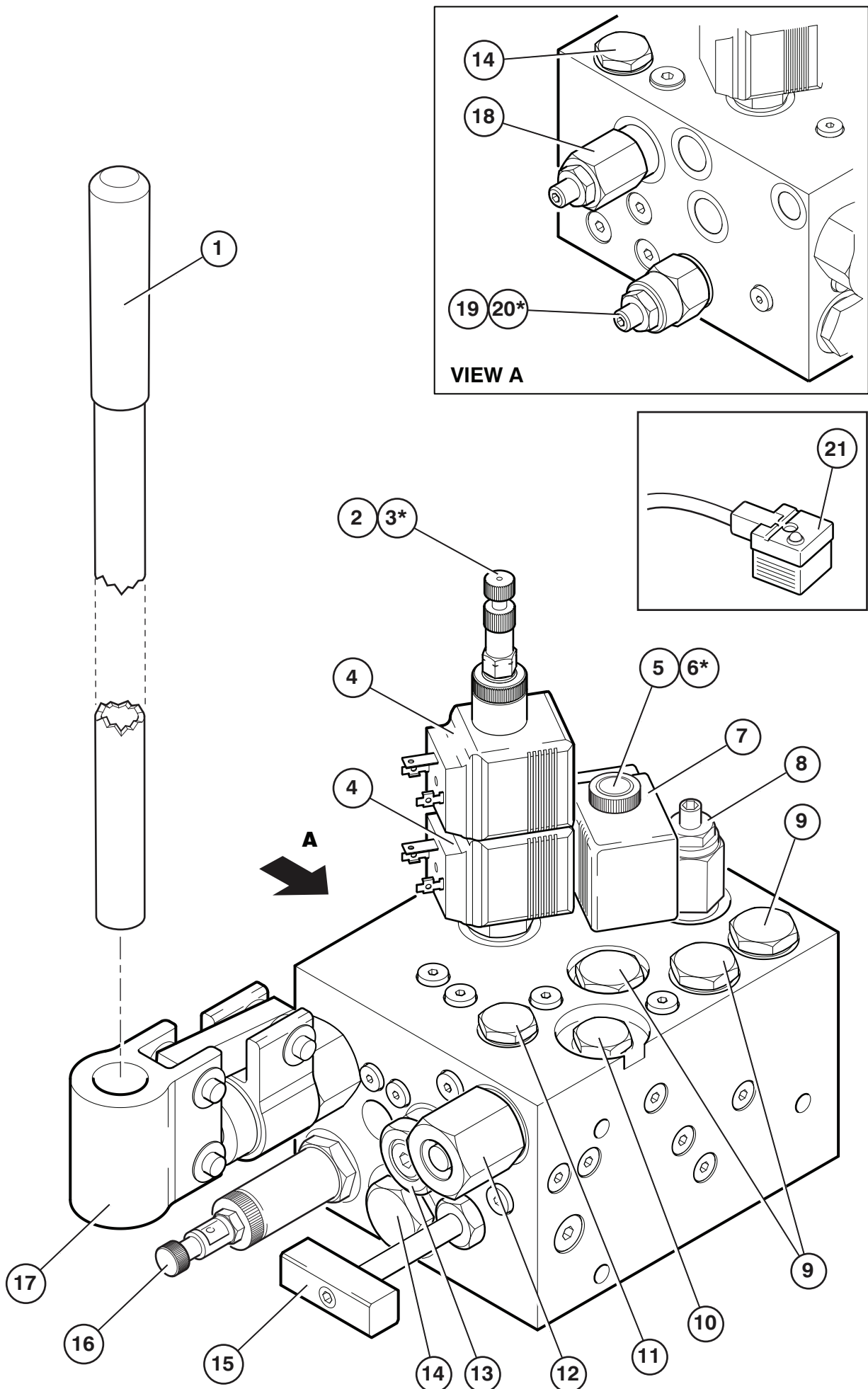
\* Not illustrated

issue 09

niftylift.com

french  
german  
spanish

superstructure



french  
german  
spanish

**superstructure**

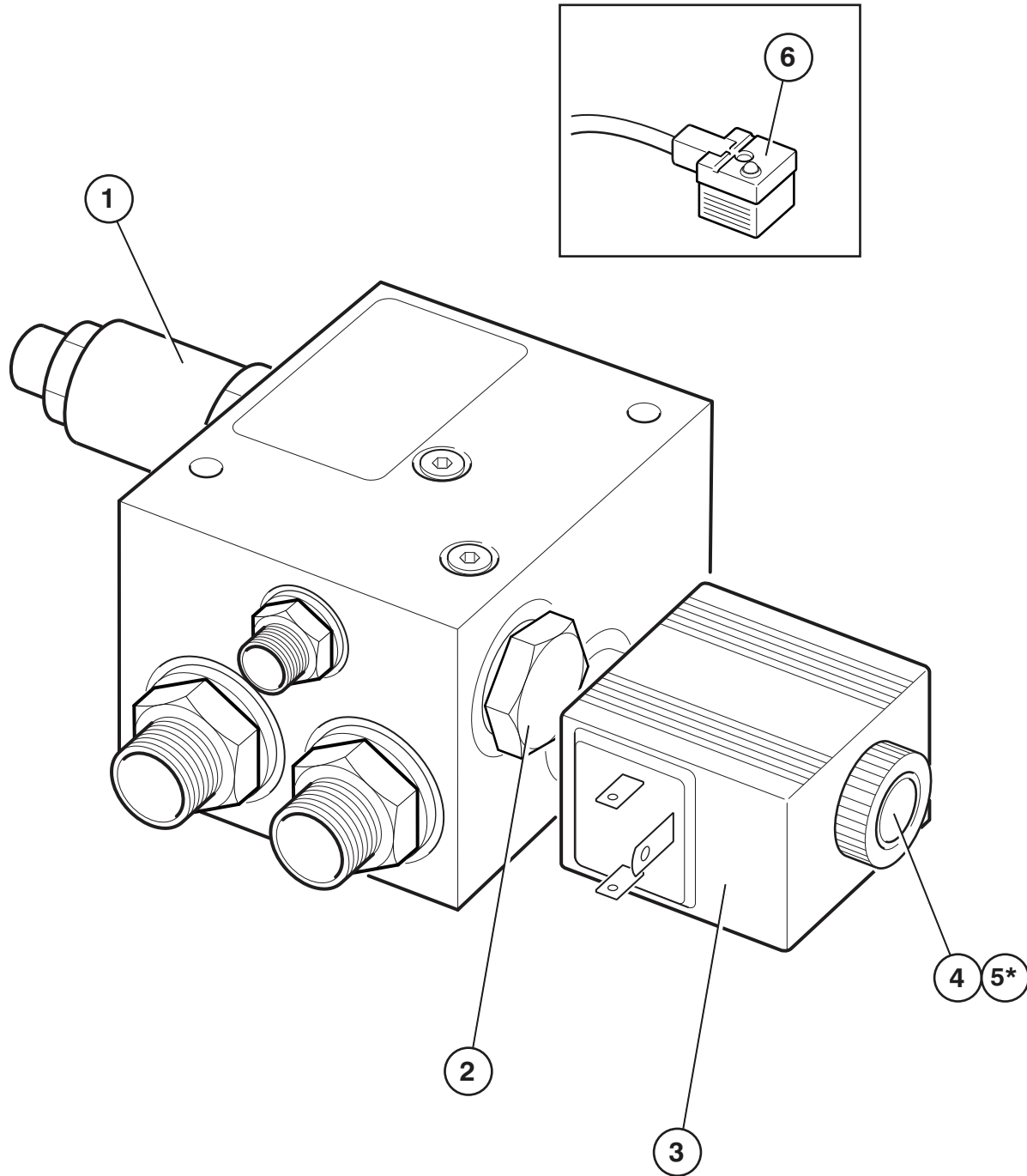
## 2.11 Booms Valve block

Item	Description				Part Number
	Complete assembly				P18449
1	Relief cartridge 250 bar - CT1				P18253
2	Check valve CT3				P17946
3	Coil ONLY				P19397
4	Solenoid cartridge (includes item 3) CT2				P19398
5 *	Seal kit for item 4				P15710
6	Connector				P13089

\* Not illustrated

french  
german  
spanish

superstructure



french  
german  
spanish

**superstructure**

**Figure 2.11 Booms valve block**

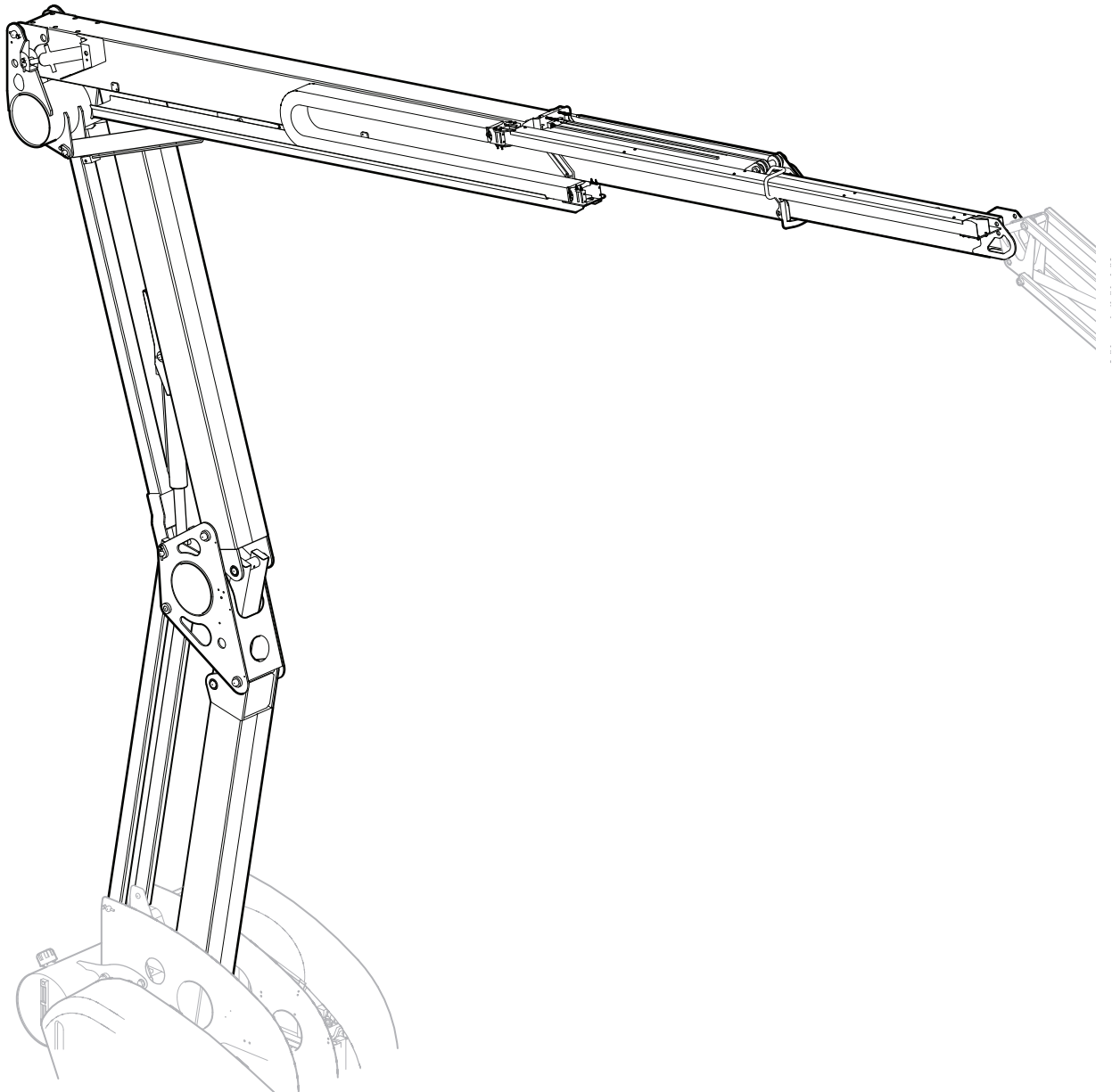




**nifty**

**SD210 (SD64)**

*illustrated parts manual*  
*Manuel illustré de pièces détachées*  
*Illustrierte Stückliste*  
*Manual de piezas ilustrado*



**3**

**boom assemblies**

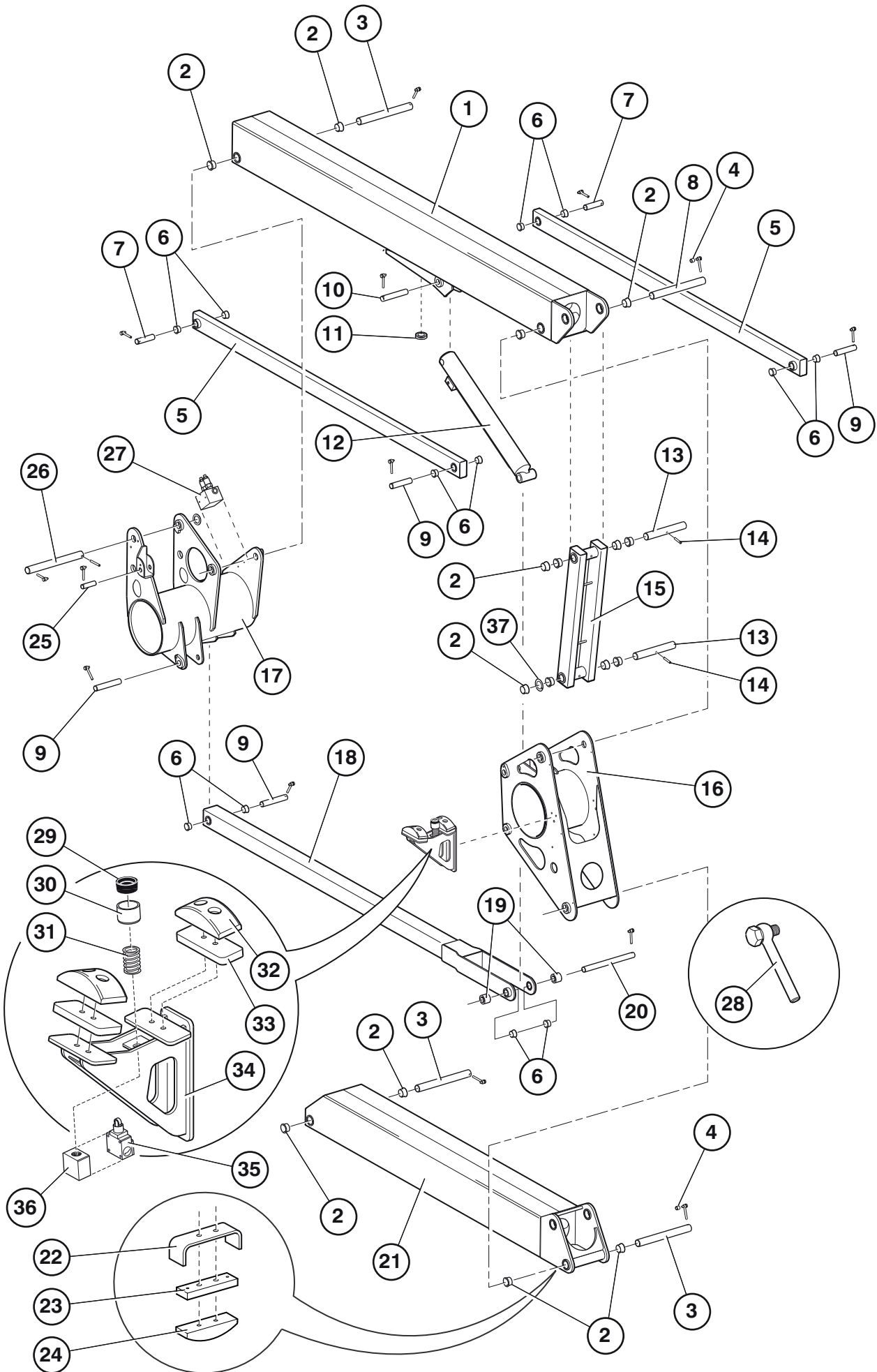
french  
german  
spanish

## 3.1 Links assembly

Item	Description				Part Number
1	Link 4				P20155
2	Bush - Top hat				P12528
3	Pin - 367mm				P12693
4	Spacer				P11728
5	Link 2				P20153
6	Bush - Flanged				P12651
7	Pin - 120mm				P16597
8	Pin - 374mm				P22151
9	Pin - 140mm				P15958
10	Pin - 175mm				P15953
11	Grommet				P11283
12	Lift cylinder See "Lift & Luffing cylinder" on page 3-14.				P31677
13	Pin - 273mm				P15640
14	Roll pin				n/a
15	Push rod				P20811
16	Knuckle - Links				P20150
17	Knuckle - Tele				P20151
18	Link 3				P20154
19	Spacer				P19649
20	Pin - 353mm				P15638
21	Link 1				P20152
22	Bracket				P17435
23	Rubber spacer				P16883
24	Nylon D-pad				P16877
25	Pin - 91mm				P12954
26	Pin - 383mm				P21938
27	Levelling valve See "Levelling valve" on page 3-18.				P16100

french  
german  
spanish

boom assemblies



french  
german  
spanish

**boom assemblies**



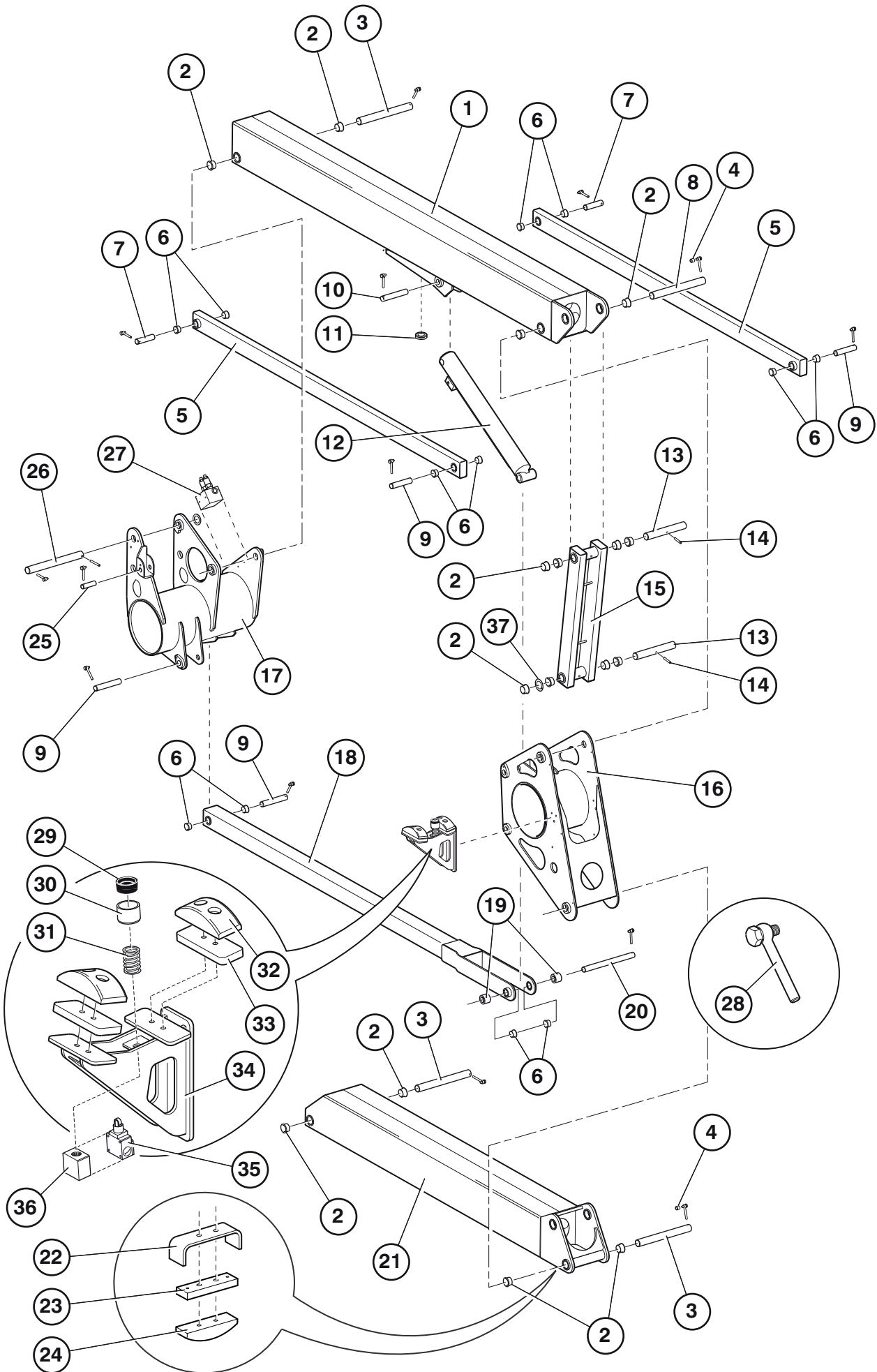
**Figure 3.1 Links assembly**

## 3.1 continued

Item	Description				Part Number
28	Swing bolt				P15966
29	Rubber cap				P18554
30	Nylon spacer				P11607
31	Spring				P13372
32	Pad - Boom rest				P16877
33	Spacer				P16883
34	Bracket - Boom rest				P16871
35	Microswitch				P18937
36	Block				P13309
37	Thrust Washer (If fitted)				P14994

french  
german  
spanish

boom assemblies



french  
german  
spanish

boom assemblies

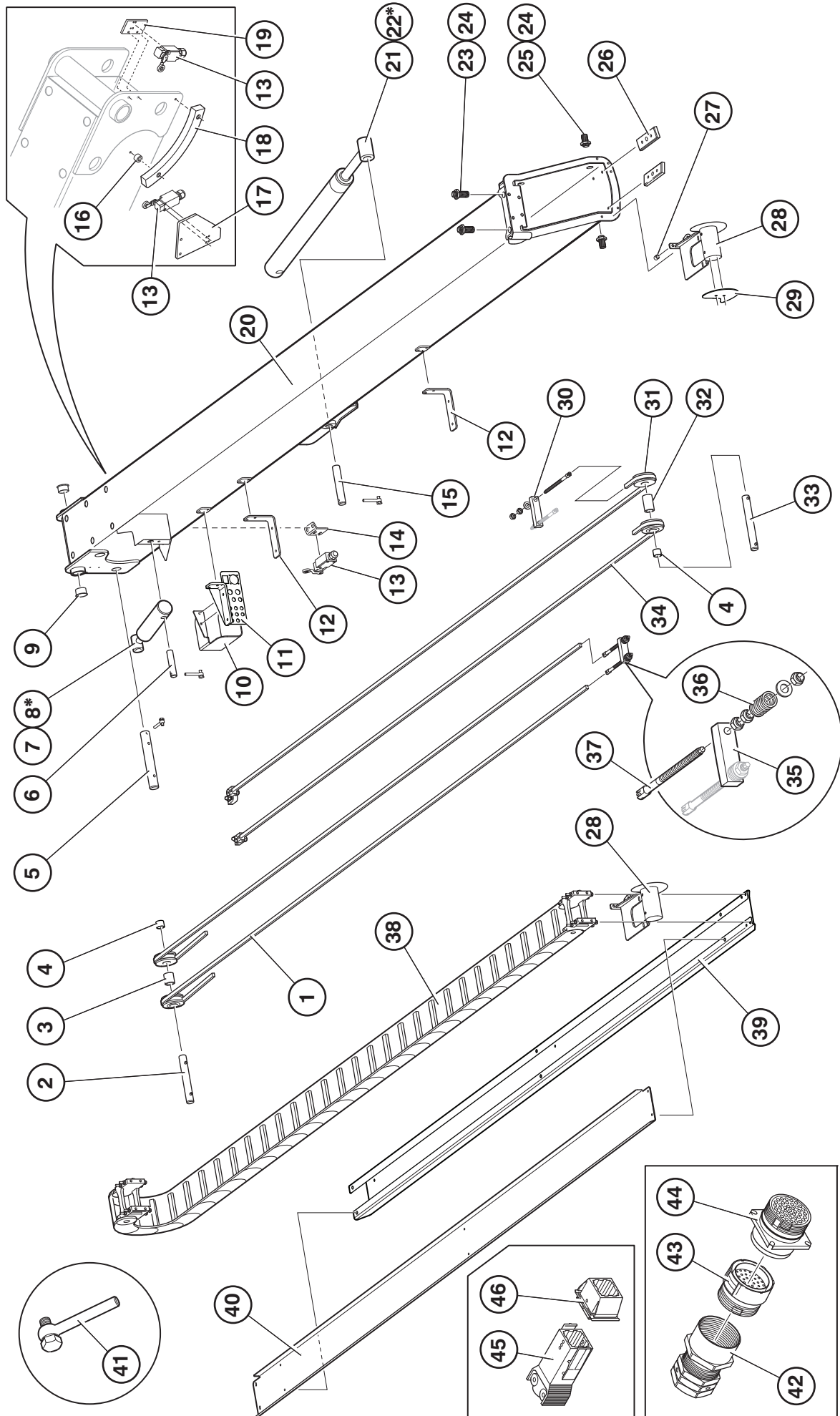


Figure 3.1 Links assembly

## 3.2 Telescope assembly (Part 1)

Item	Description				Part Number
1	Chain kit - Return (Includes items 31 and 37)				P16182
2	Pin - 208mm				P15288
3	Spacer (Rear Pulley)				P15294
4	Bush DC3030				P10880
5	Pin - 264mm (Tele-cylinder)				P15951
6	Pin - 119mm				P12628
7	Levelling cylinder (4 port) See "Levelling cylin- ders" on page 3-16.				P12155
8 *	Seal kit for item 7				P13234
9	Bush 4026DU				P12528
10	Hose cover				P22572
11	Bracket - Bulkhead				P25701
12	Support bracket				P25781
13	Limit switch				P33072
14	Bracket				P20176
15	Pin - 175 mm				P15953
16	Spacer (10mm)				P19378
17	Bracket				P19251
18	Luffing cam				P17444
19	Bracket				P19250
20	Section 3				P20158
21	Luffing cylinder See "Lift & Luffing cyl- inder" on page 3-14.				P31679
22 *	Seal kit for item 21				P27072
23	Wear screw (Black) M24 x 70				P16243
24	Half nut				P16312
25	Wear screw (Red) M24 x 52				P17064

\* Not illustrated



french  
german  
spanish

boom assemblies

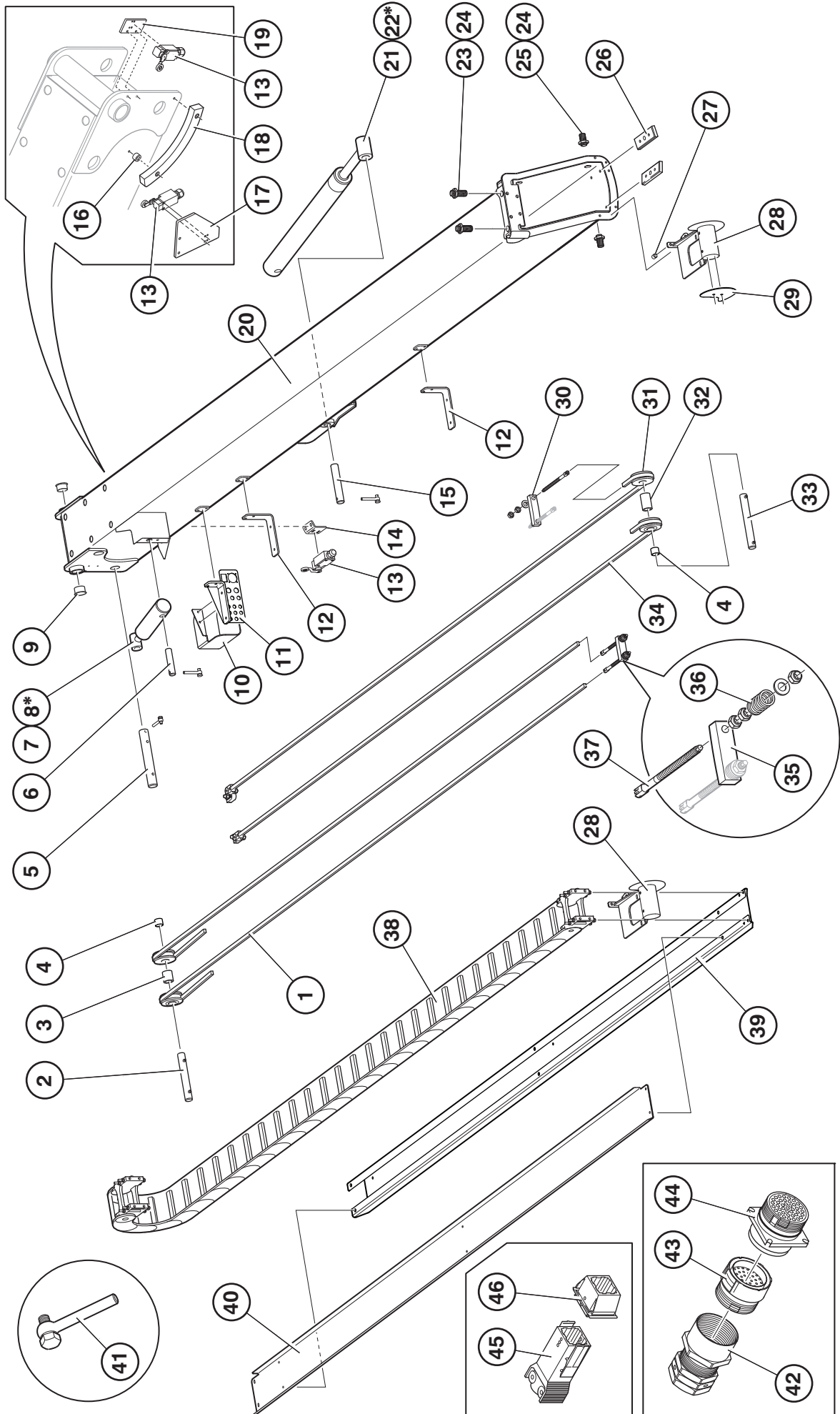
Figure 3.2 Telescope assembly (Part 1)

## 3.2 continued

Item	Description				Part Number
26	Wear pad				P16176
27	Spacer				P11728
28	Bracket - Trunking				P17622
29	Side plate				P19430
30	Equaliser - Outward chain				P15284
31	Pulley				P15337
32	Spacer (Front pulley)				P15293
33	Pin - 238mm				P15287
34	Chain kit - Outward (Includes items 31 and 37)				P16181
35	Tensioner - Return chain				P15285
36	Spring				P16378
37	Threaded anchor assembly (Includes split pins, anchor pin and nuts)				P16179
38	Energy chain See "Energy chain" on page 3-20.				P33742
39	Trunking - Lower				P25779
40	Lid - Lower trunking				P19007
41	Swing bolt				P15966
42	Clamp				P18014
43	Plug - 40 way				P18011
44	Socket - 40 way				P18016
45	Chassis - 4 way				P19152
46	Plug - 4 way				P19153

french  
german  
spanish

boom assemblies



french  
german  
spanish

**boom assemblies**

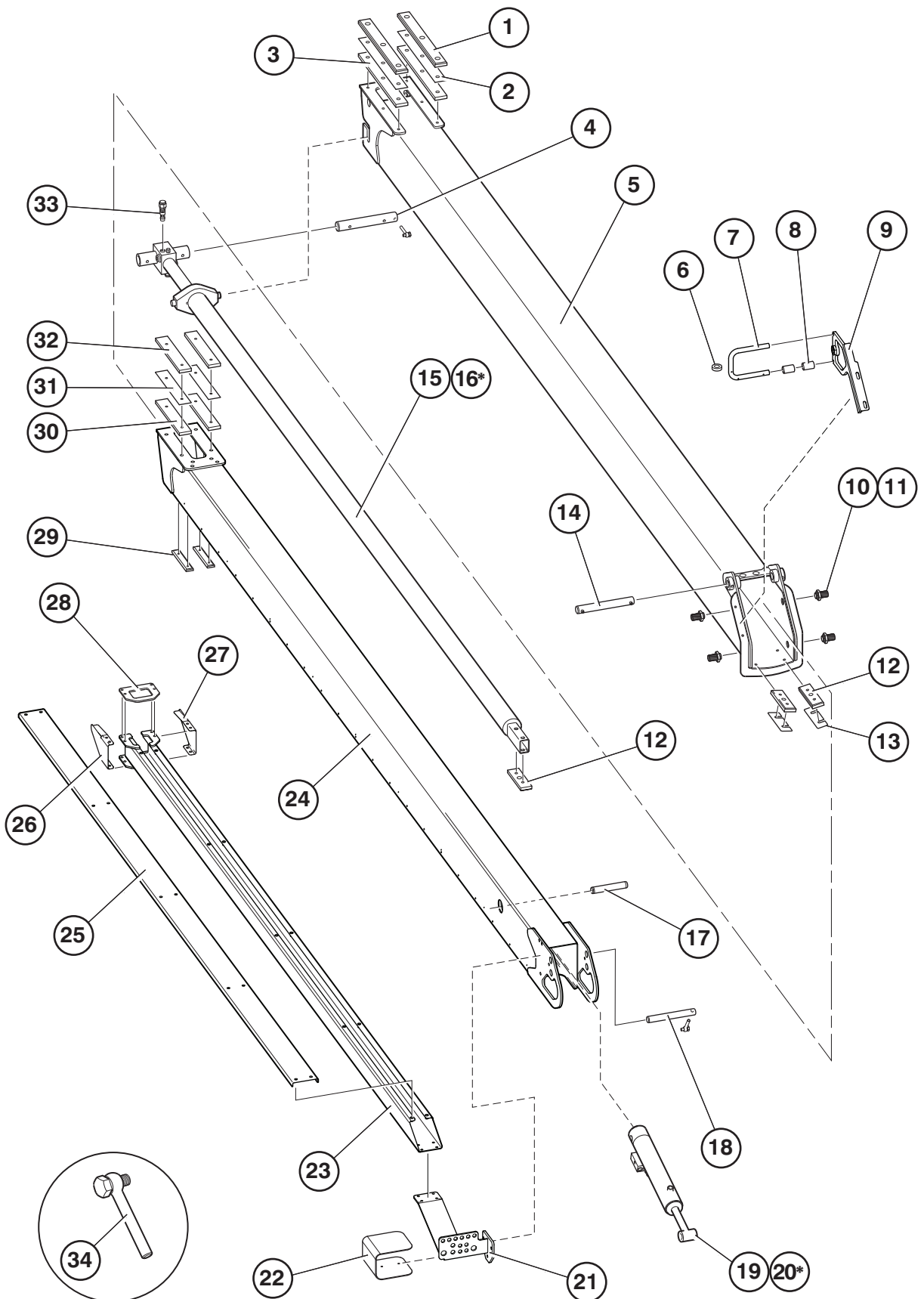


Figure 3.2 Telescope assembly (Part 1)

## 3.3 Telescope assembly (Part 2)

Item	Description				Part Number
1	Wear pad				P16168
2	Shim				P16156
3	Spacer				P15643
4	Pin - 264mm				P15951
5	Inner Section 2				P20157
6	Side roller				P16303
7	Loop				P19326
8	Spacer				P12343
9	Support bracket				P18982
10	Wear screw (Black) M24 x 70				P16243
11	Half nut				P16312
12	Wear pad				P16176
13	Shim				P14174
14	Pin - 238mm				P15287
15	Tele cylinder				P15286
16 *	Seal kit for item 15				P16956
17	Pin - 136mm				P15685
18	Pin - 195mm				P18884
19	Levelling cylinder (2 port) See "Levelling cylinders" on page 3-16.				P15959
20 *	Seal kit for item 19				P13234
21	Bracket - Bulkhead				P22032
22	Hose cover				P22574
23	Trunking				P19006
24	Inner Section 1				P29611
25	Lid - Trunking				P19008
26	Support bracket LH (Tracking)				P18664
27	Support bracket RH (Tracking)				P18665
28	Capping plate				P16049

\* Not illustrated



french  
german  
spanish

**boom assemblies**





**Figure 3.3 Telescope assembly (Part 2)**

## 3.3 continued

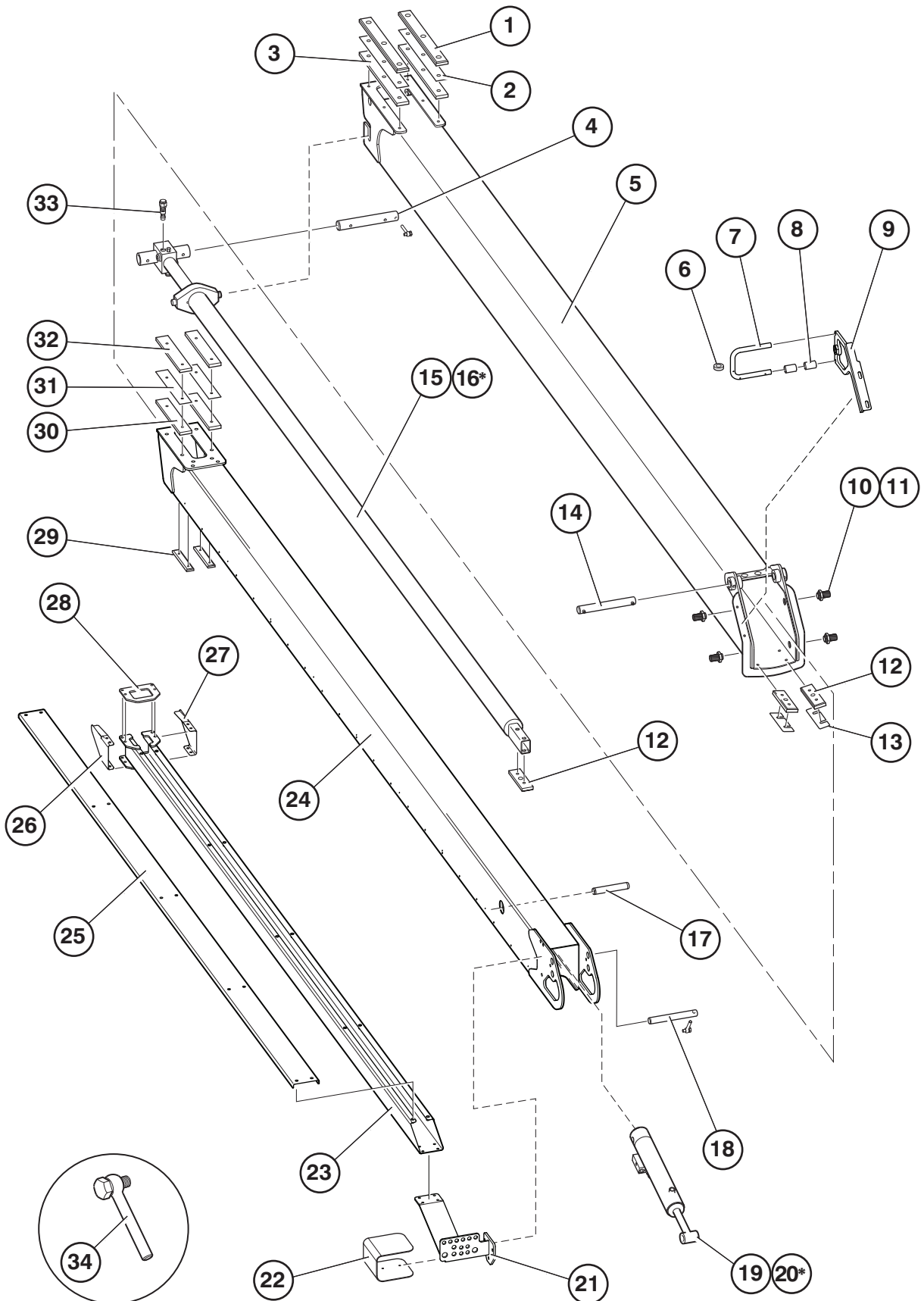
Item	Description				Part Number
29	Wear pad				P15899
30	Spacer				P15644
31	Shim				P16157
32	Wear pad				P16169
33	Load valve				P15020
34	Swing bolt				P15966

french  
german  
spanish

**boom assemblies**



3-12



french  
german  
spanish

**boom assemblies**

**Figure 3.3 Telescope assembly (Part 2)**

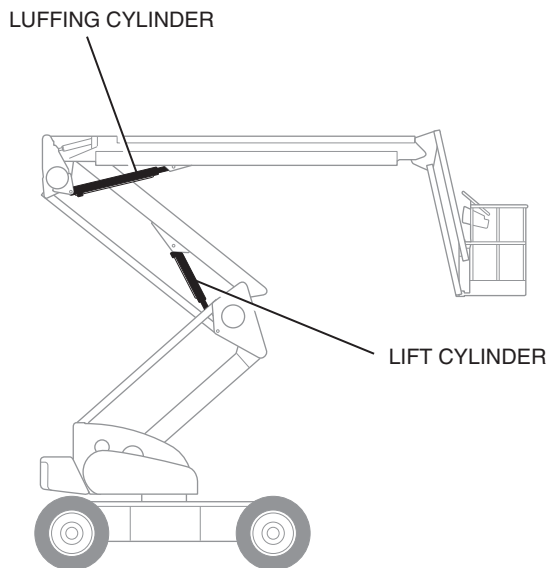
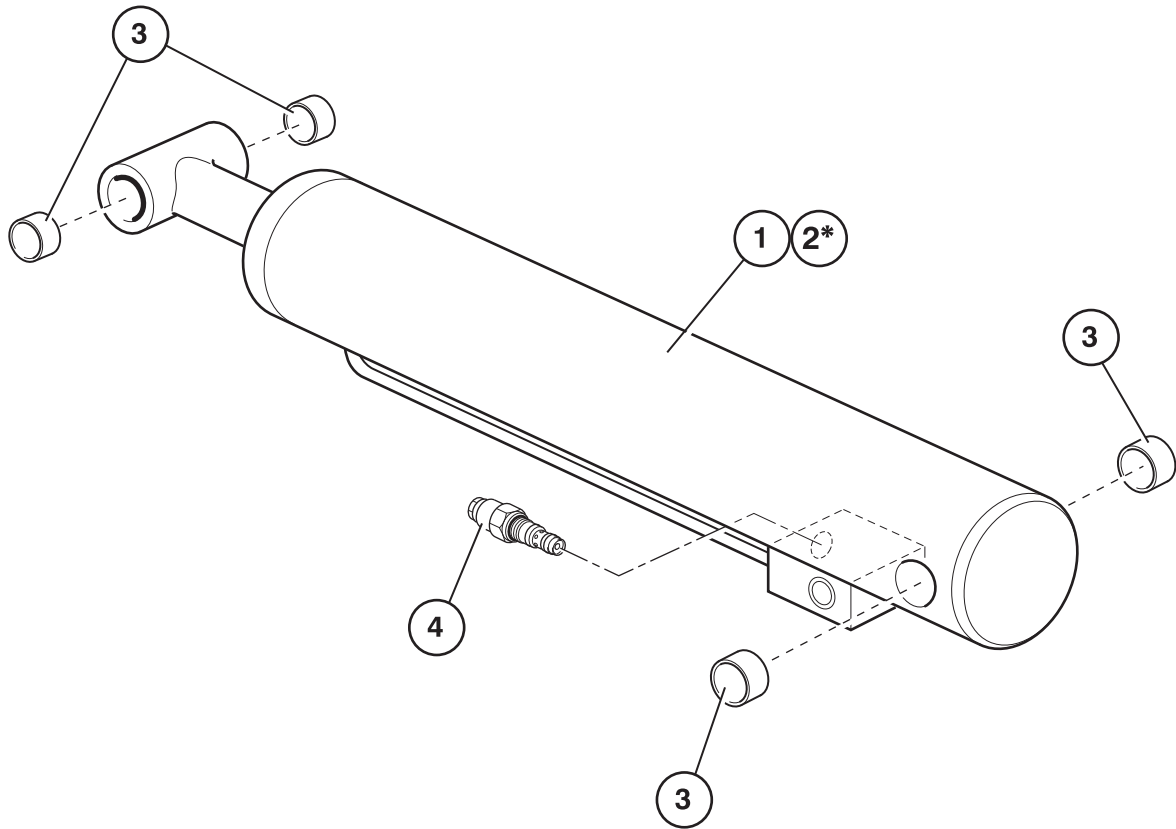
## 3.4 Lift & Luffing cylinder

Item	Description	Part Number
1	Cylinder Lift Luffing	P31677 P31679
2 *	Seal kit for item 1	P27072
3	Bush DU3030	P10880
4	Load valve Lift Luffing	P11956 P15706

\* Not illustrated

french  
german  
spanish

boom assemblies



french  
german  
spanish

**boom assemblies**

**Figure 3.4 Lift & Luffing cylinder**

## 3.5 Levelling cylinders

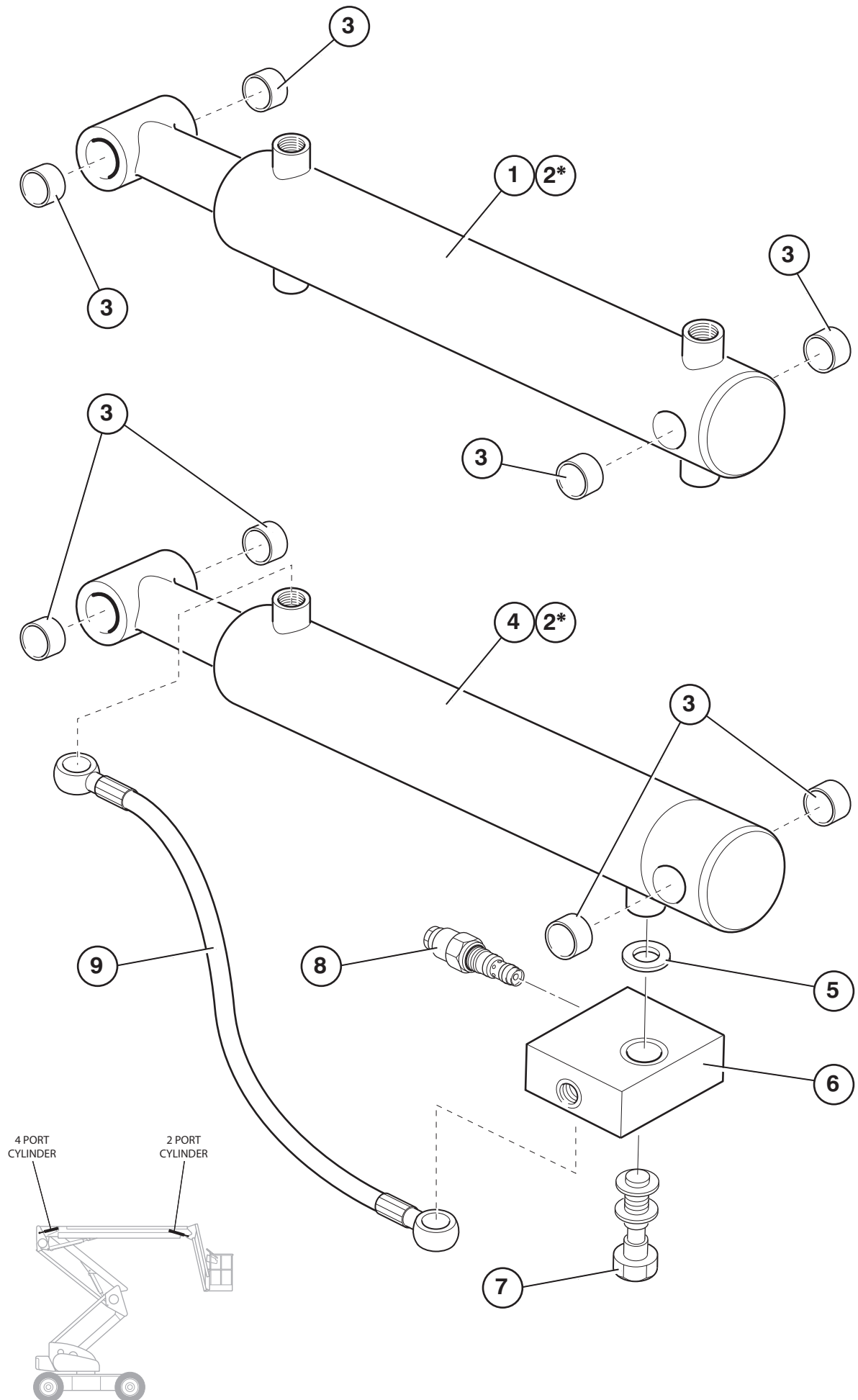
Item	Description				Part Number
1	Cylinder (4 port)				P12155
2 *	Seal kit for items 1 and 4				P13234
3	Bush				P10032
4	Cylinder (2 port)				P15959
5	Sealed washer				P70126
6	Check valve assy. (Includes item 8)				P21052
7	Banjo bolt				P10625
8	Load valve				P31916
9	Hose kit (Includes fittings)				P24245

\* Not illustrated

french  
german  
spanish

boom assemblies

3-16



french  
german  
spanish

**boom assemblies**



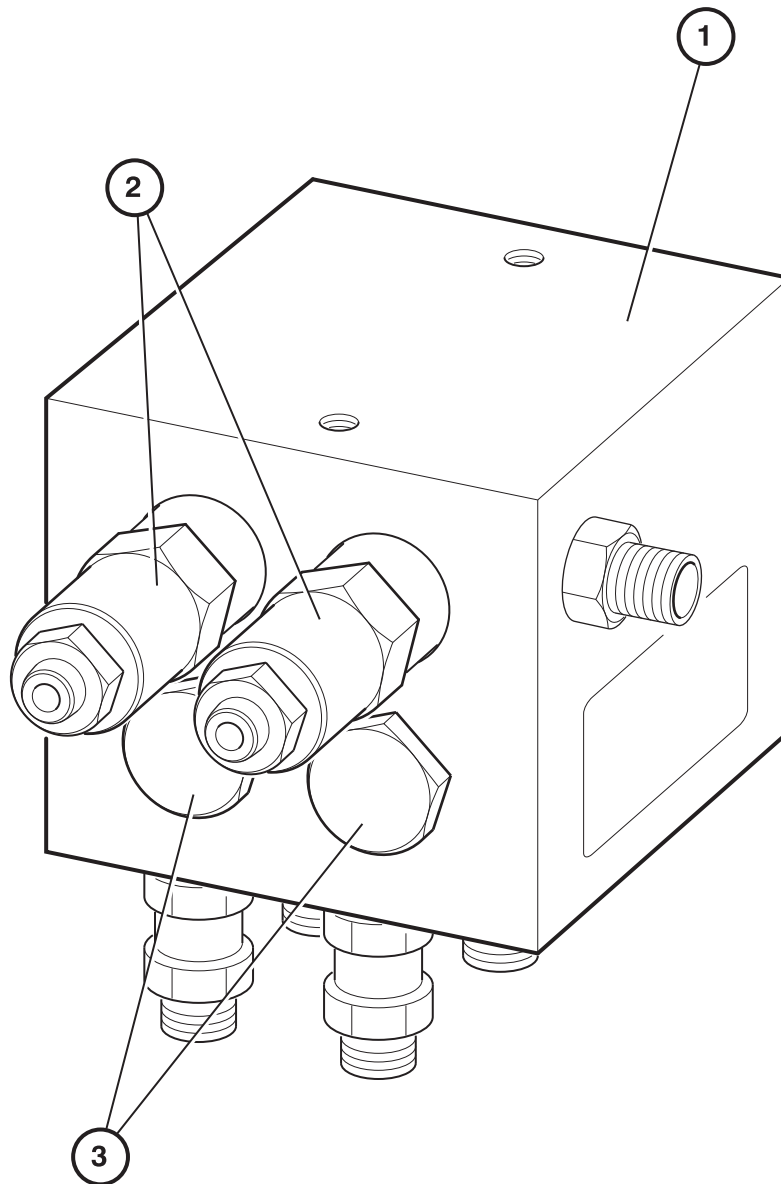
**Figure 3.5 Levelling cylinders**

## 3.6 Levelling valve

Item	Description				Part Number
1	Levelling valve assembly				P16100
2	Relief Valve (250 BAR)				P18253
3	Check valve				P12810

french  
german  
spanish

boom assemblies



french  
german  
spanish

**boom assemblies**

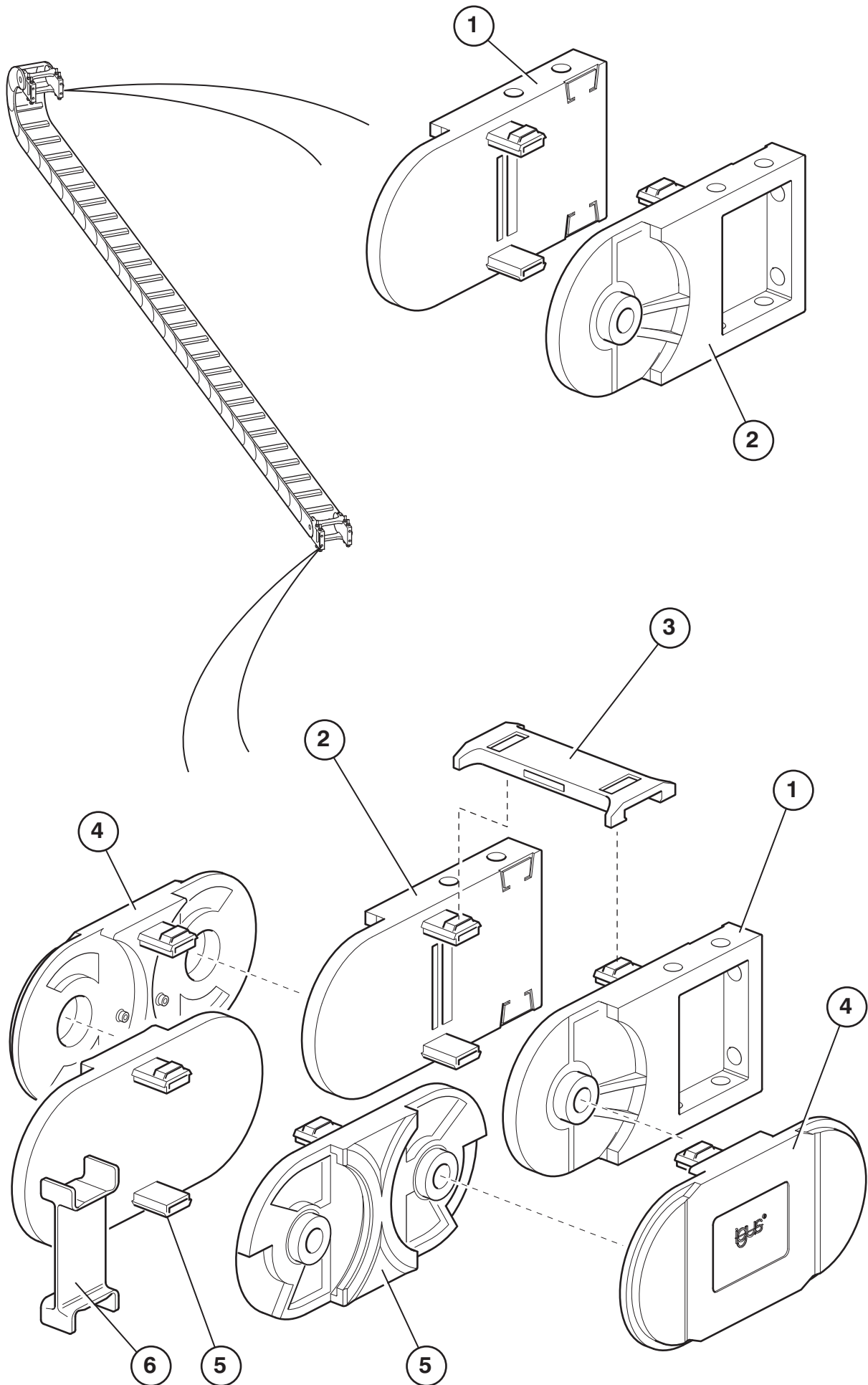
**Figure 3.6 Levelling valve**

### 3.7 Energy chain

Item	Description				Part Number
1	End Bracket 1 (Ref. 917.883.11)				P35303
2	End Bracket 2 (Ref. 917.883.10)				P35302
3	Bridge				P17673
4	Link - Outer (Ref. E4.56.01)				P28714
5	Link - Inner (Ref. E4.56.02.135)				P28715
6	Hose divider				P17405

french  
german  
spanish

boom assemblies



french  
german  
spanish

boom assemblies



Figure 3.7 Energy chain

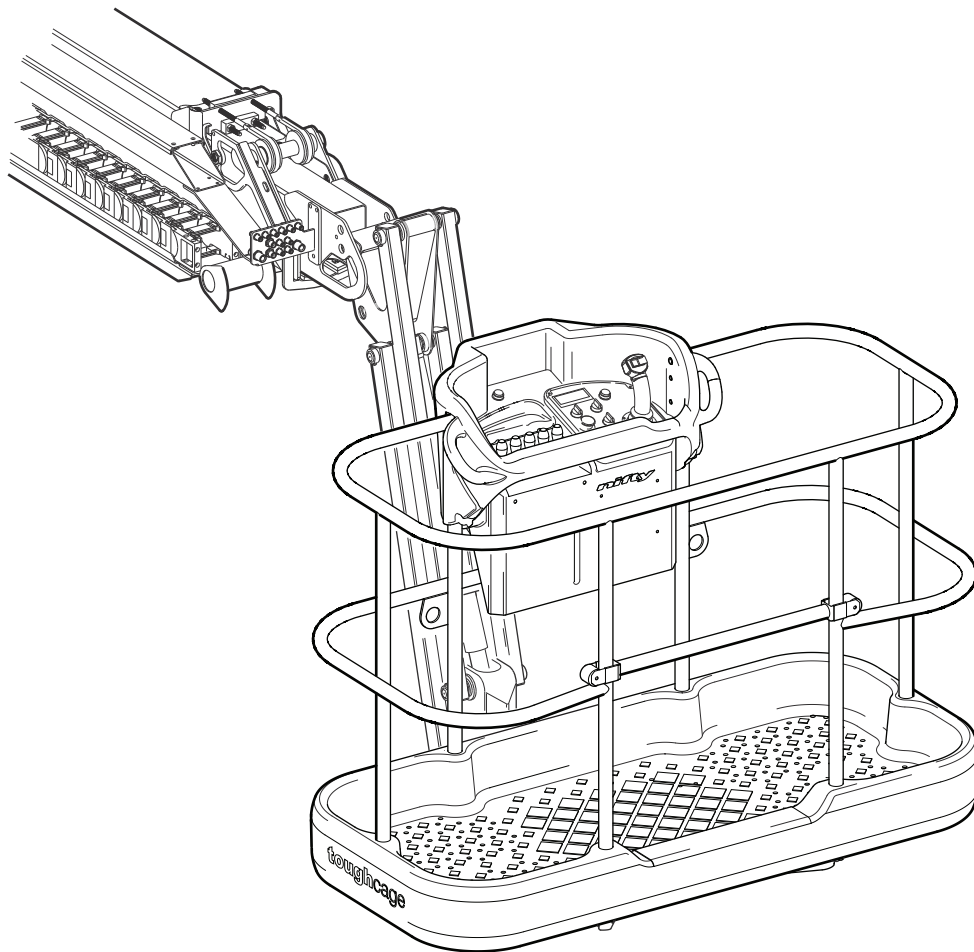




**nifty**

**SD210 (SD64)**

*illustrated parts manual*  
*Manuel illustré de pièces détachées*  
*Illustrierte Stückliste*  
*Manual de piezas ilustrado*



**4**

**cage and flyboom**

french  
german  
spanish



## 4.1 toughcage assembly

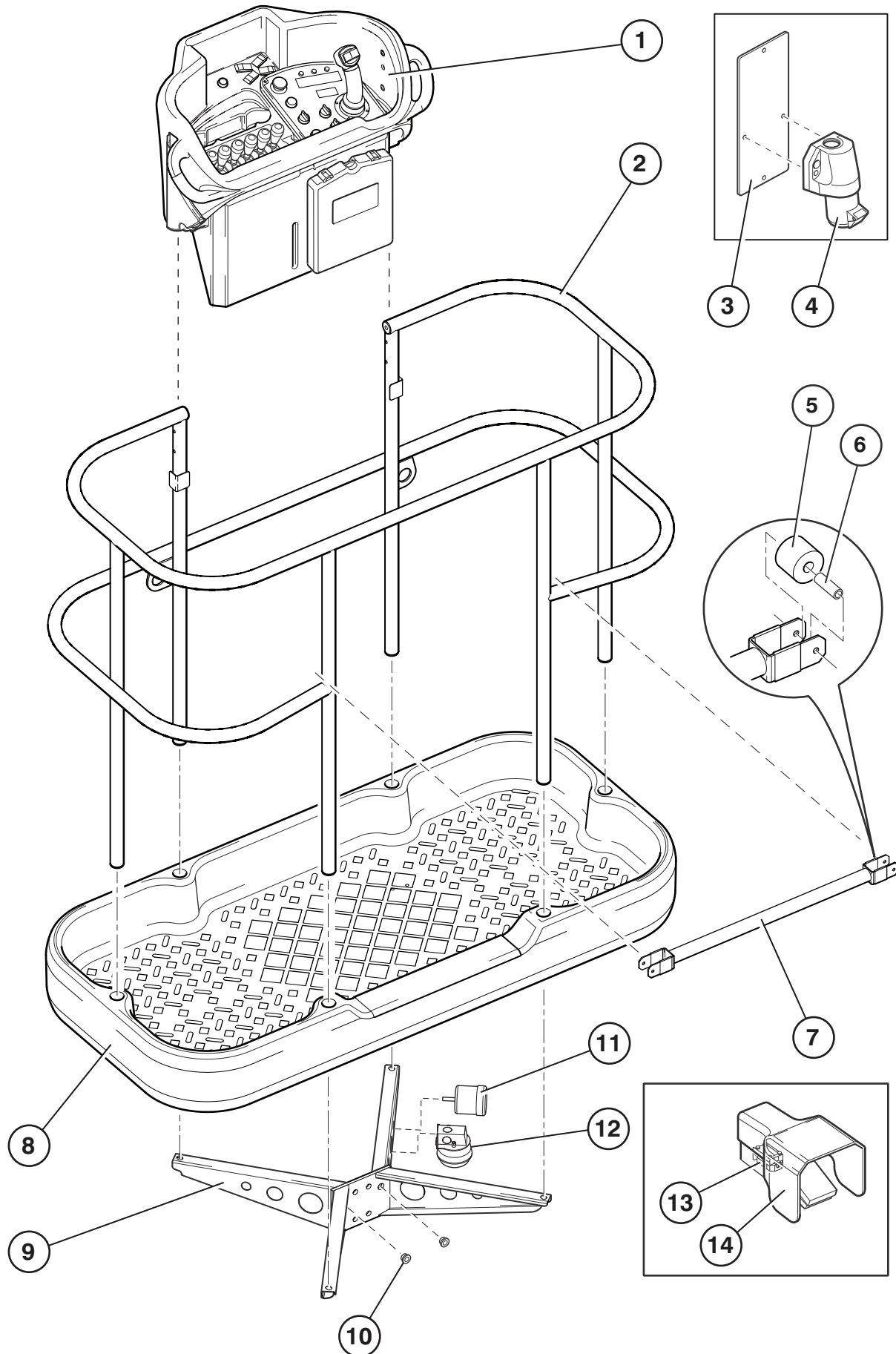
Item	Description				Part Number
1	Console assembly See "cage console assembly" on page 4-6				N/A
2	Cage frame #  * Steel cage (OPTION) See "Cage assembly" on page 4-4				P20750  P29543
3	Mounting bracket (OPTION)				P25281
4	Socket 110v/16A (OPTION)				P25082
5	Nylon roller				P21784
6	Spacer				P21791
7	Cage gate				P21783
8	Cage floor				P28655
9	Cage support				P22011
10	Rubber bush				P21960
11	Annunciator				P27951
12	Beacon -Blue				P27950
13	Contact switch				P26751
14	Footswitch assy (OPTIONAL) Cover ONLY				P26601  P26752

\* Not illustrated

# Please specify colour when ordering

french  
german  
spanish

cage and flyboom



french  
german  
spanish

**cage and flyboom**



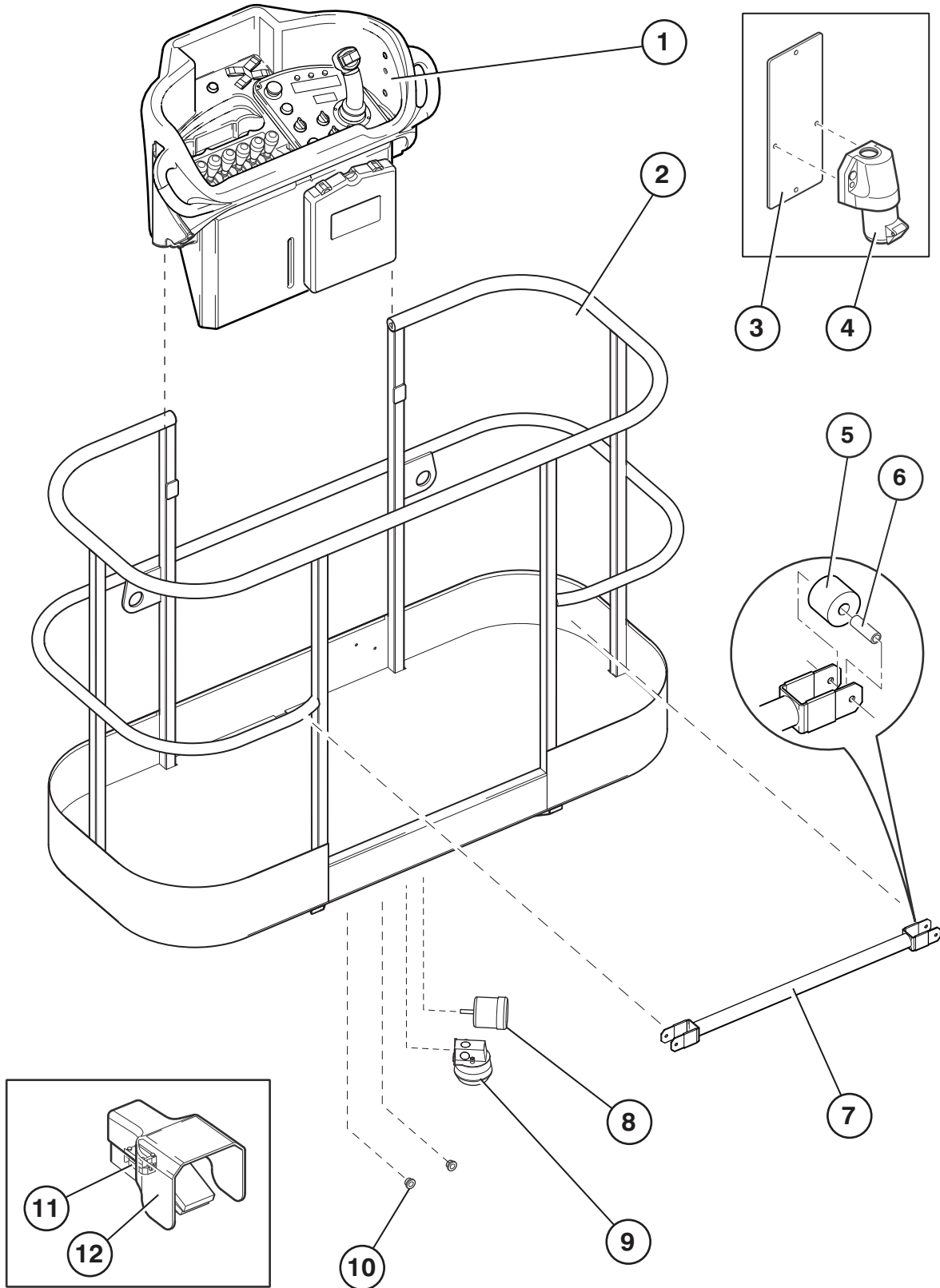
**Figure 4.1 toughcage assembly**

## 4.2 Cage assembly

Item	Description				Part Number
1	Console assembly See "cage console assembly" on page 4-6				N/A
2	Steel cage (OPTION)				P29543
3	Mounting bracket (OPTION)				P25281
4	Socket 110v/16A (OPTION)				P25082
5	Nylon roller				P21784
6	Spacer				P21791
7	Cage gate				P13652
8	Annunciator				P27951
9	Beacon -Blue				P27950
10	Rubber bush				P21960
11	Contact switch				P26751
12	Footswitch assy (OPTIONAL) Cover ONLY				P26601 P26752

french  
german  
spanish

cage and flyboom



french  
german  
spanish

**cage and flyboom**



**Figure 4.2 Cage assembly**

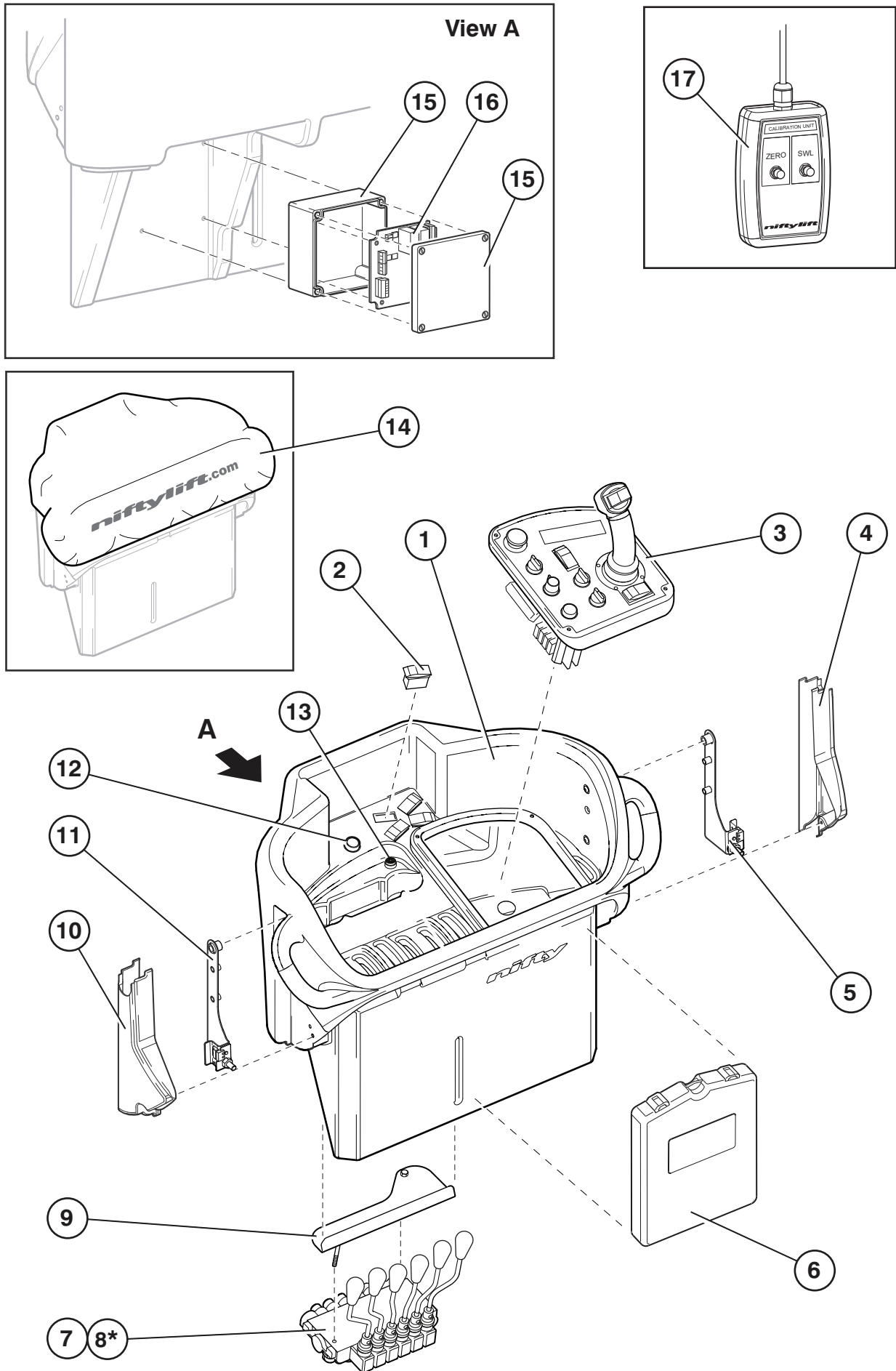
## 4.3 cage console assembly

Item	Description				Part Number
1	Console				P22060
2	Switch - Carling				P16973
3	Control panel assembly See "Control panel assembly" on page 4-16.				P29012
4	Cover RH				P21416
5	SiOPS Bracket RH assembly See "SiOPSTM assembly" on page 4-8				P26150
6	Instruction manual box				P11618
7	Control valve				P22645
8 *	Seal kit for item 7				P70337
9	Bracket				P18972
10	Cover LH				P21417
11	SiOPS Bracket LH assembly See "SiOPSTM assembly" on page 4-8				P26149
12	Button - Blue Waterproof cover Contact NO				P24331 P24332 P24323
13	Pilot light lens Bulb Lamp holder Lamp housing				P11295 P11791 P11790 P14276
14	Protective cover (Option)				P24020
15	PCB assembly (Includes item 16) Box ONLY				P27723 P25739
16	Cage Weigh and SiOPSTM PCB				P34199
17	Calibration unit (Cage Weigh)				T00237

\* Not illustrated

french  
german  
spanish

cage and flyboom



french  
german  
spanish

**cage and flyboom**



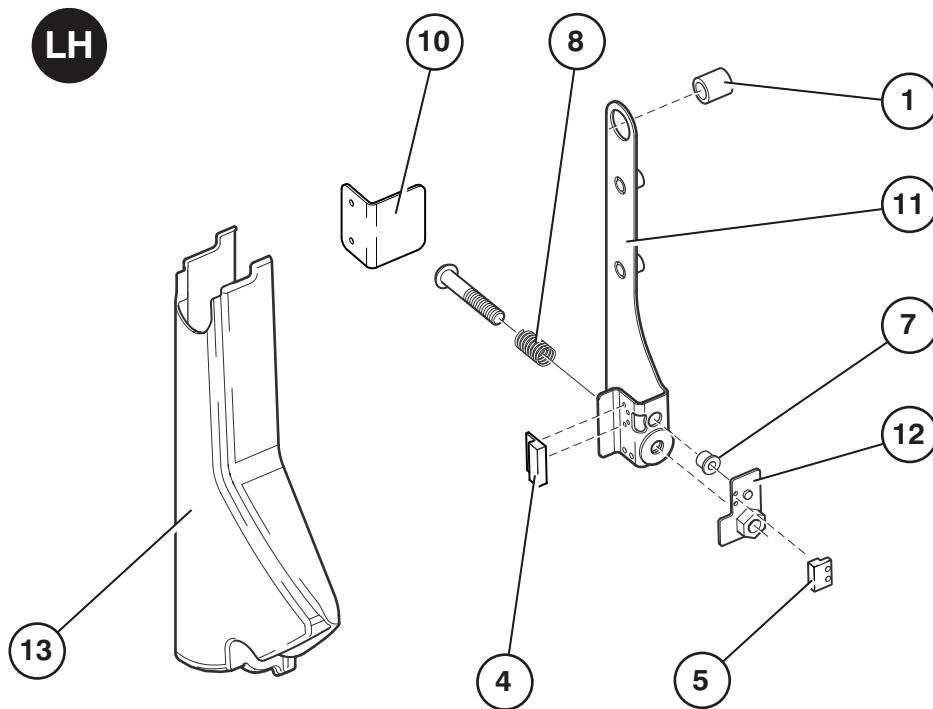
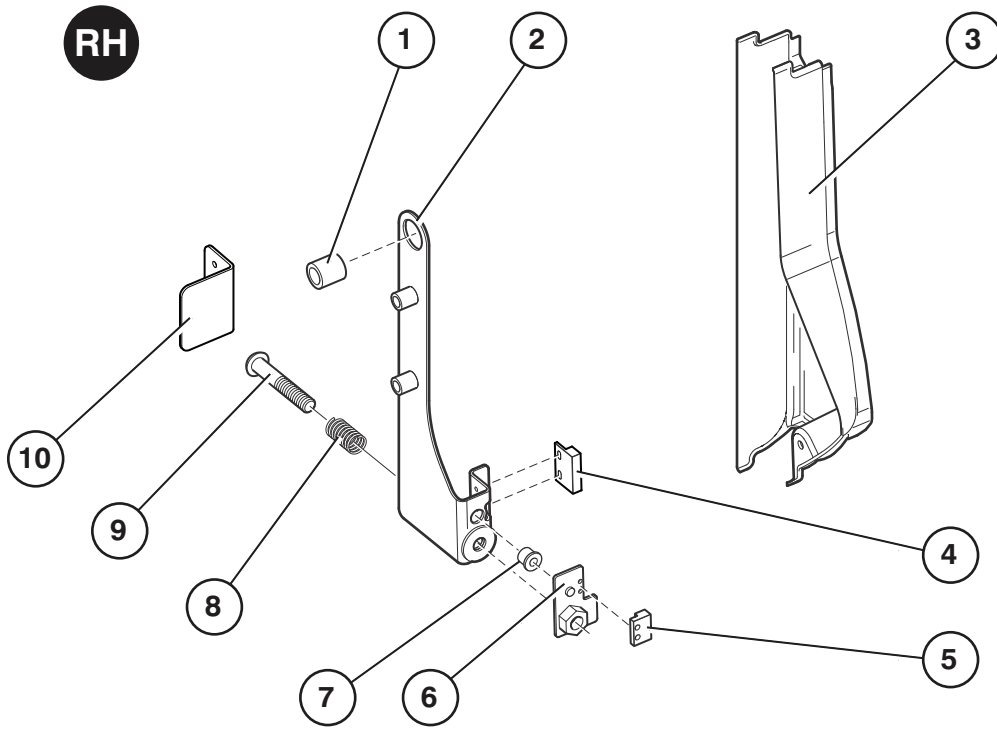
**Figure 4.3 Cage console assembly**

## 4.4 SiOPS™ assembly

Item	Description				Part Number
1	Boss				P21526
2	Console bracket RH				P21641
3	Cover RH				P21416
4	Proximity switch				P22061
5	Magnet				P22062
6	Magnet bracket RH				P21643
7	Plastic boss				P21645
8	Spring				P22298
9	Button socket screw (M10 x 60)				N/A
10	Striker plate				P22067
11	Console bracket LH				P21640
12	Magnet bracket LH				P21642
13	Cover LH				P21417

french  
german  
spanish

cage and flyboom



french  
german  
spanish

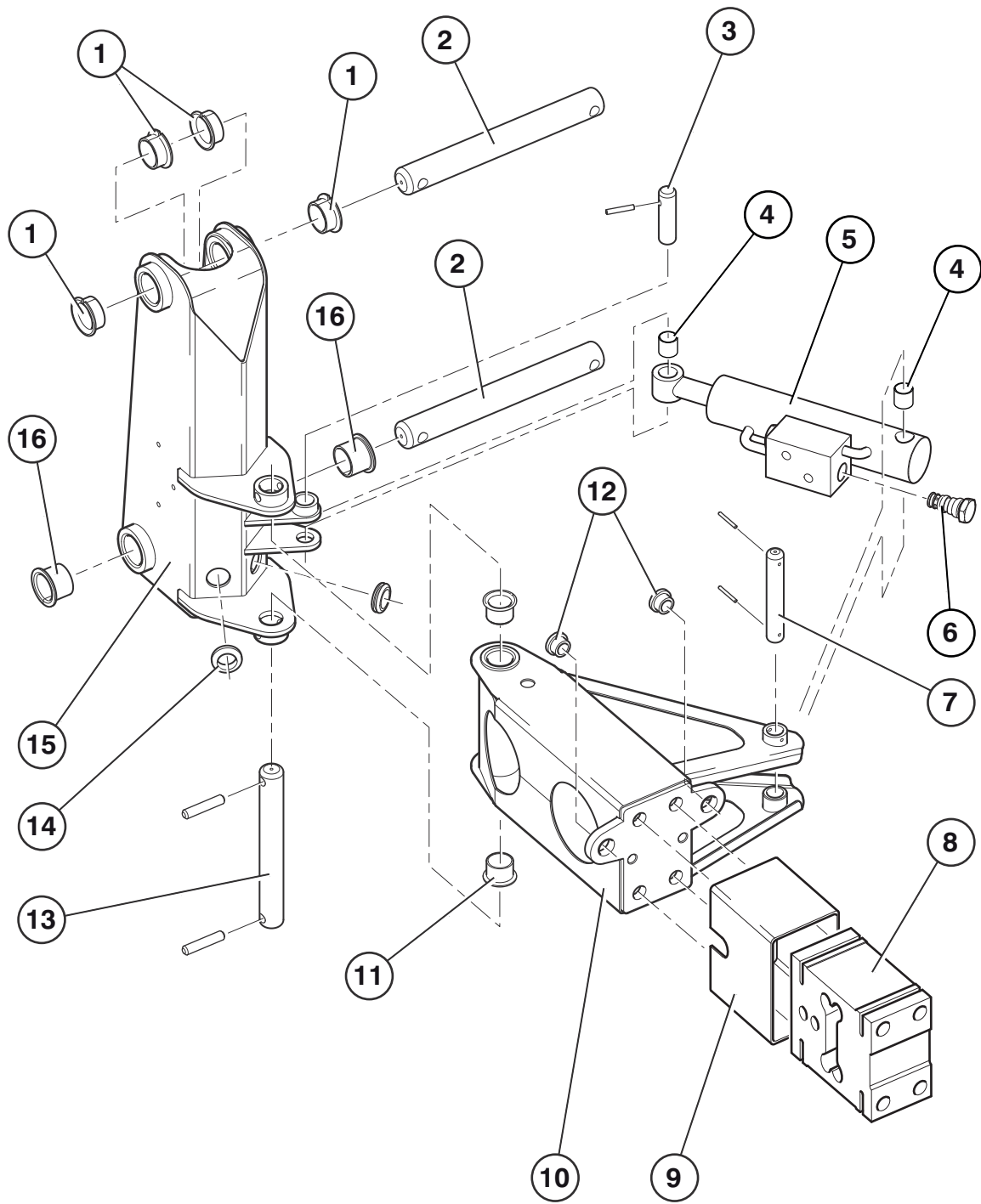
**cage and flyboom**

## 4.5 cage rotate assembly

Item	Description				Part Number
1	Bush				P16337
2	Pin - 251 mm				P18885
3	Pin - 70mm				P24482
4	Bush DU1820				P11366
5	Cylinder Seal kit *				P22102 P31311
6	Check valve				P17317
7	Pin - 114mm				P21740
8	Load cell 1.1m cable 2.4m cable				P18179 P29179
9	Cover				P25200
10	Extender bracket				P21880
11	Bush				P12250
12	Rubber bush				P21960
13	Pin - 199mm				P21903
14	Grommet				P16983
15	Cage bracket				P21878
16	Bush				P12651

french  
german  
spanish

cage and flyboom



french  
german  
spanish

**cage and flyboom**

**Figure 4.5 Cage rotate assembly**

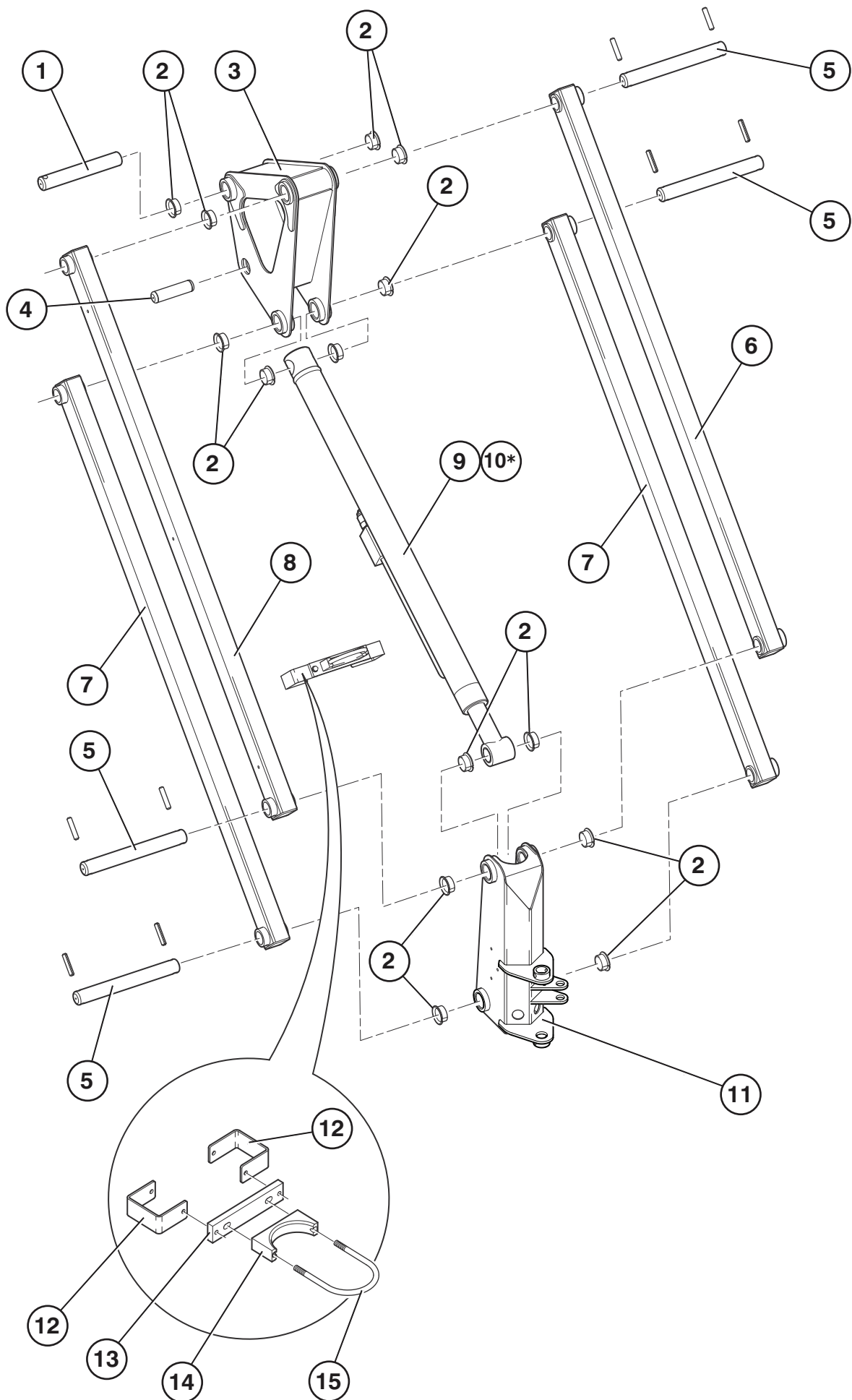
## 4.6 flyboom assembly

Item	Description				Part Number
1	Pin - 195mm				P18884
2	Bush				P16337
3	Knuckle				P18877
4	Pin - 96mm				P12691
5	Pin - 280mm				P15649
6	Flyboom (with cam)				P28977
7	Flyboom				P27812
8	Flyboom (tapped)				P28976
9	Cylinder See "Flyboom cylinder" on page 4-14				P19413
10*	Seal kit for item 9				P13267
11	Cage mounting bracket				P21878
12	Hose guide				P20356
13	Nylon clamp plate				P20357
14	Hose clamp				P17991
15	U-bolt (M8 116mm)				N/A

\* Not illustrated

french  
german  
spanish

cage and flyboom



french  
german  
spanish

**cage and flyboom**

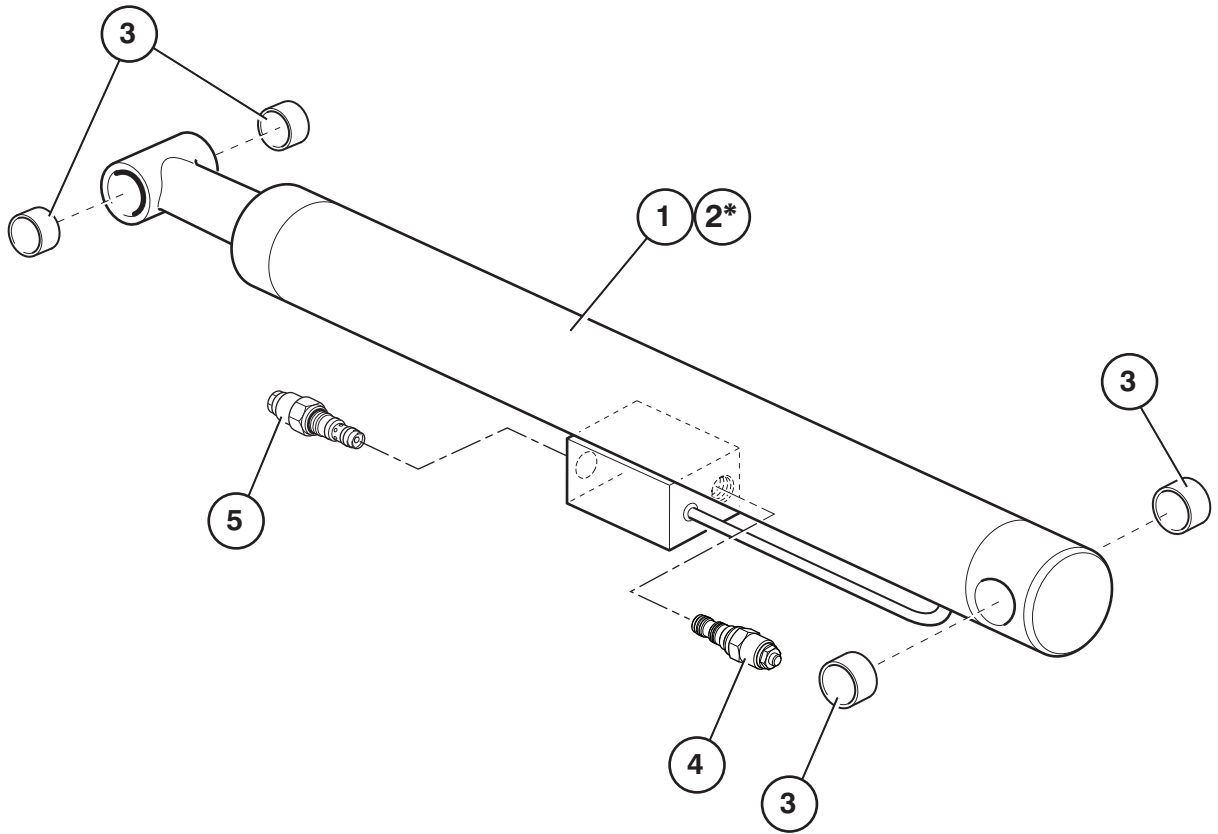
**Figure 4.6 Flyboom assembly**

## 4.7 Flyboom cylinder

Item	Description				Part Number
1	Cylinder				P19413
2 *	Seal kit for item 1				P13267
3	Bush 3025DU				P10509
4	Load valve				P11956
5	Over centre valve				P15706

french  
german  
spanish

cage and flyboom



french  
german  
spanish

**cage and flyboom**

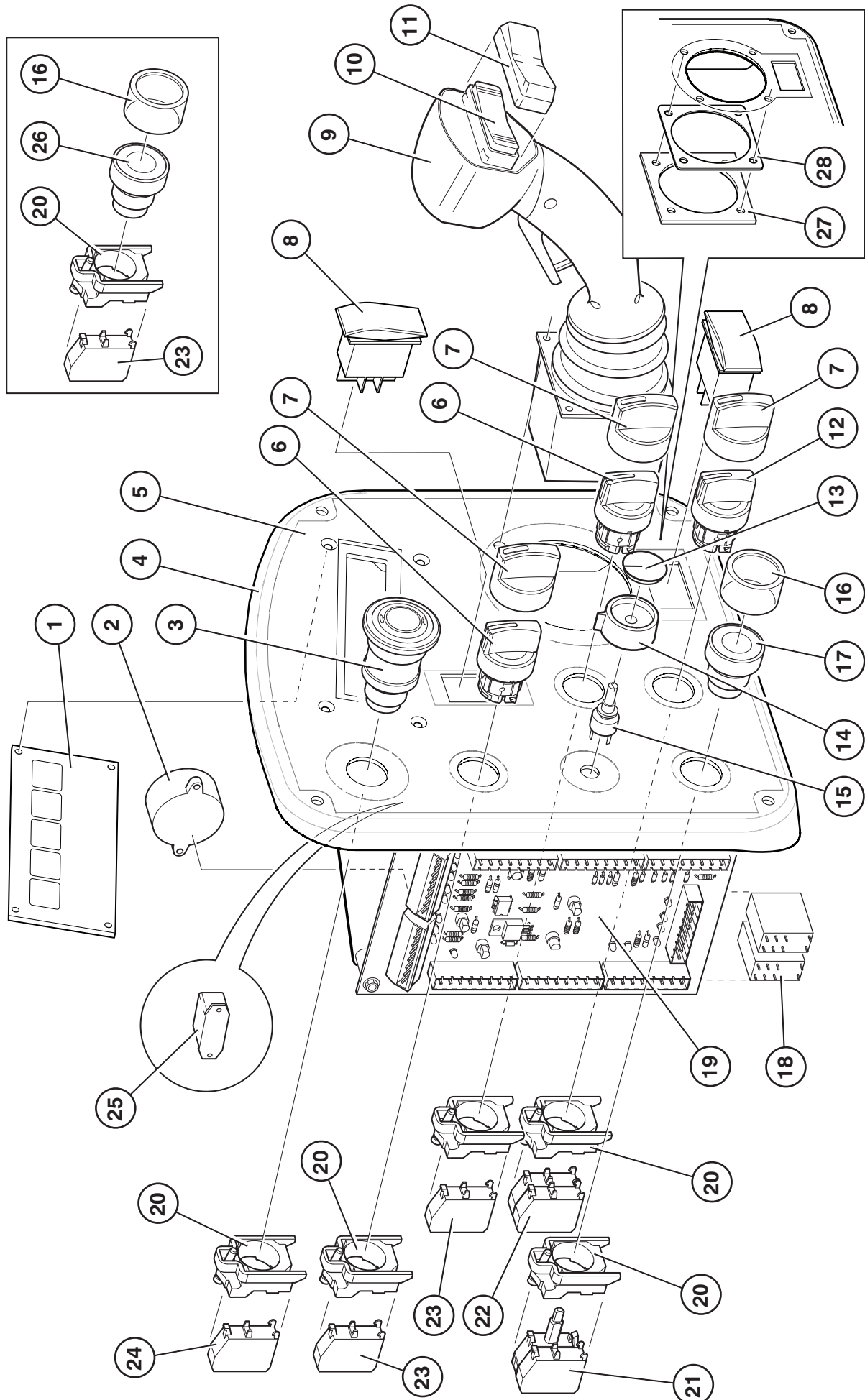
**Figure 4.7 Flyboom cylinder**

## 4.8 Control panel assembly

Item	Description	Part Number
	Complete assembly	P29012
1	PCB - Cage display	P14460
2	Sounder	P11112
3	E-Stop button USA Only	P24317 P28564
4	Cage control lid	P23671
5	Label	P23666
6	Selector switch	P24318
7	Rubber cover	P24319
8	Switch (Carling)	P11763
9	Joystick	P12077
10	Switch	P17650
11	Rubber cover	P17651
12	Selector switch	P24327
13	Cap	P17734
14	Knob	P17733
15	Potentiometer	P17732
16	Rubber cover	P24332
17	Button - Green (Includes item 16)	P24333
18	Relay	P18486
19	PCB - Cage control	P17514
20	Base, switch	P24322
21	Contact LED block <b>NO</b> <b>Green</b>	P24323 P24338
22	Contact <b>NO</b> <b>NO</b>	P24323 P24323
23	Contact <b>NO</b>	P24323
24	Contact <b>NC</b>	P24324
25	Buzzer	P10341
26	Button - Blue (includes item 16)	P24331
27	Stiffener plate	P23879
28	Gasket	P23934

french  
german  
spanish

cage and flyboom



french  
german  
spanish

**cage and flyboom**



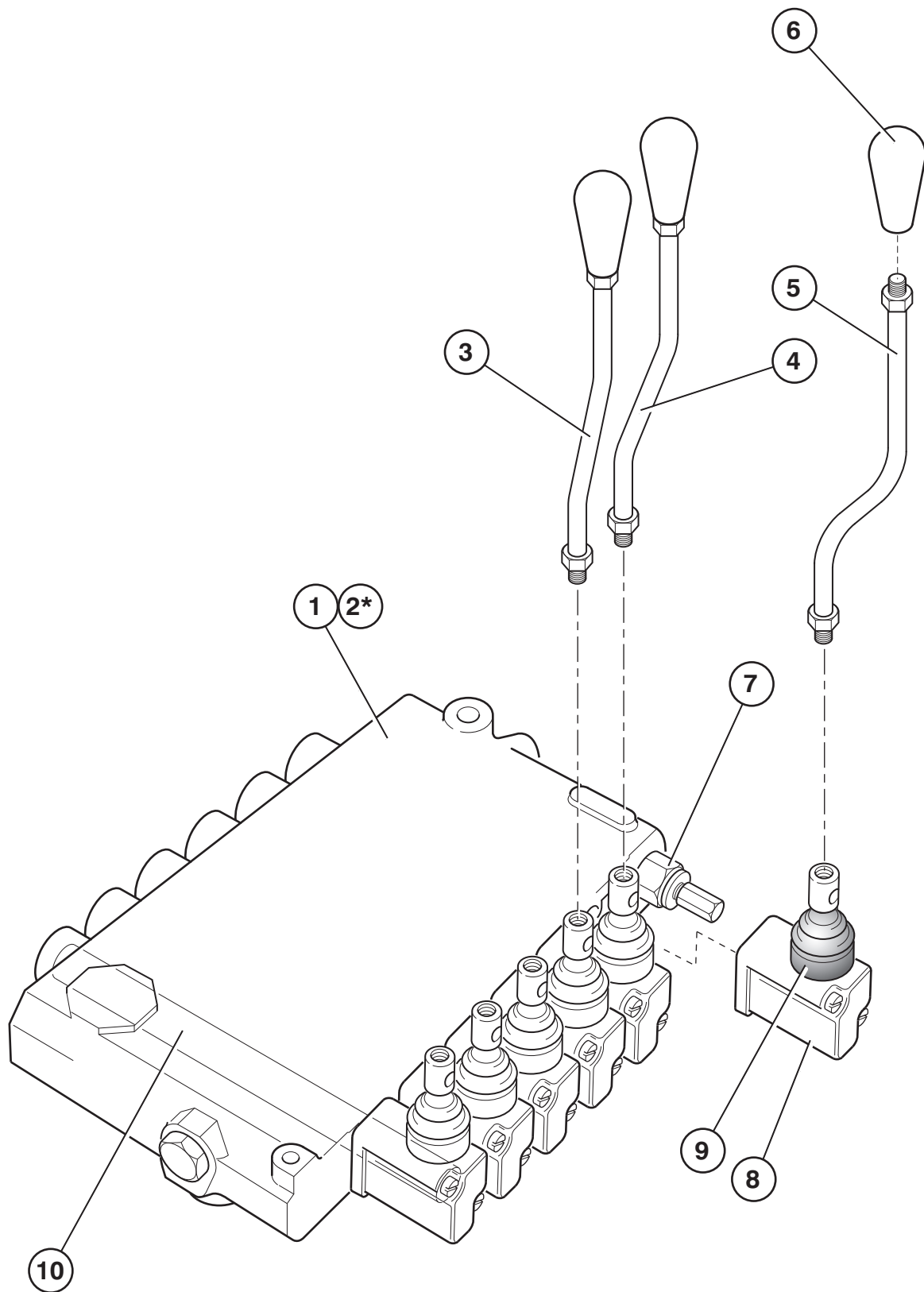
**Figure 4.8 Cage control panel**

## 4.9 Control valve (6 spool)

Item	Description				Part Number
1	Control valve				P22645
2 *	Seal kit for item 1 (3 spool)				P70337
3	Lever 1 - Inner				P14077
4	Lever 2				P23329
5	Lever 3 - Outer				P20880
6	Knob				P14488
7	Pressure relief valve				P70335
8	Lever cap (complete)				P70338
9	Rubber boot				P12225
10	Spool (AS)				P15510

french  
german  
spanish

cage and flyboom



french  
german  
spanish

**cage and flyboom**

**Figure 4.9 Control valve (6 spool)**

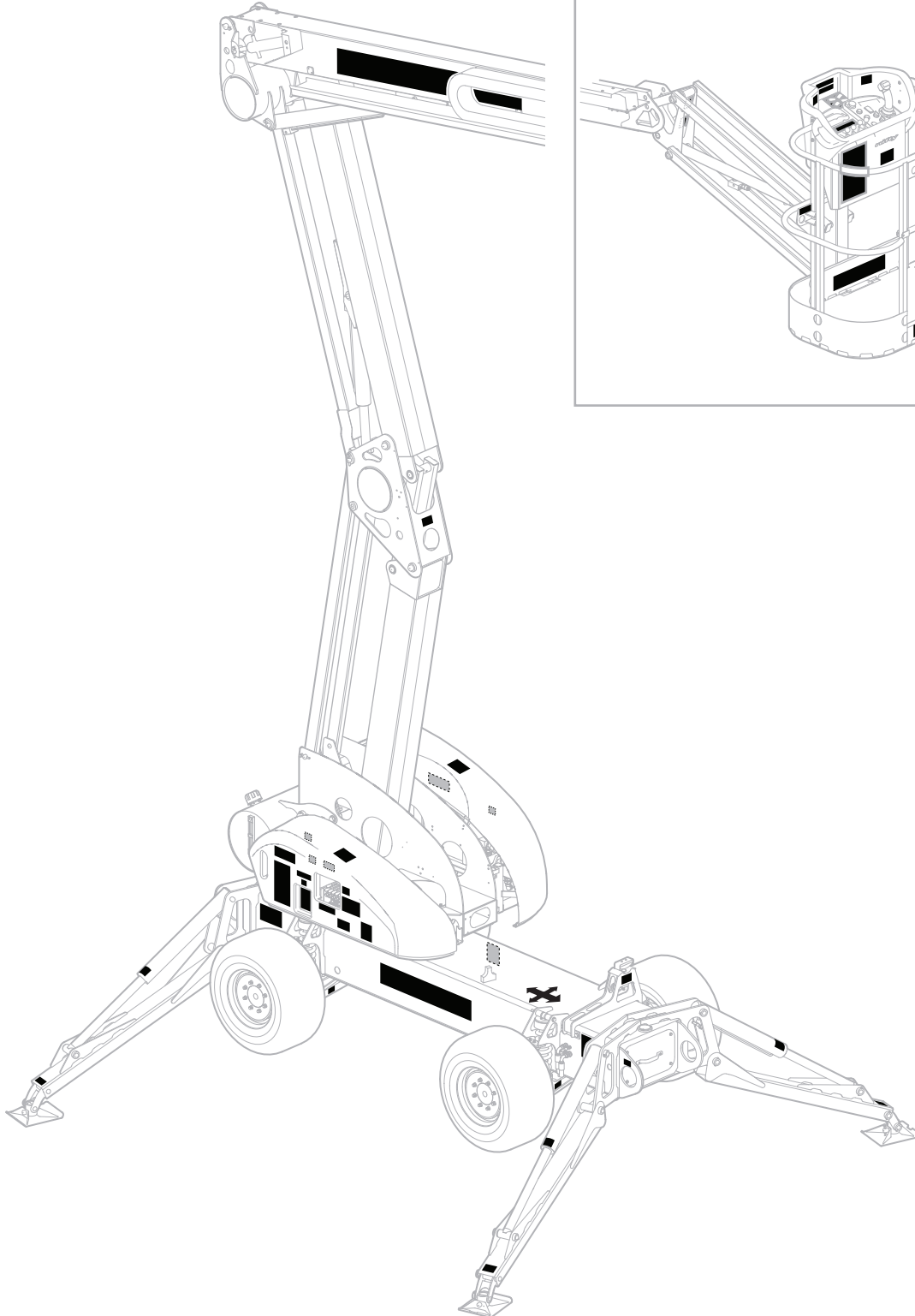




**nifty**

## SD210 (SD64)

*illustrated parts manual*  
*Manuel illustré de pièces détachées*  
*Illustrierte Stückliste*  
*Manual de piezas ilustrado*



**5**



**labelling**  
french  
german  
spanish

## 5.1 Label locations

Item	Description	Part Number
1	10 Degree Lateral Tilt	P17668
	french	P17668
	german	P17668
	spanish	P17668
	dutch	P17668
	swedish	P17668
2	Horn	P23739
	french	P23739
	german	P23739
	spanish	P23739
	dutch	P23739
	swedish	P23739
3	If tilt alarm sounds	P18842
	french	P18843
	german	P18844
	spanish	P18845
	dutch	P18846
	swedish	P19637
4	Overload warning	P18848
	french	P18849
	german	P18850
	spanish	P18851
	dutch	P18852
	swedish	P19638
5	Danger - Do not place objects...	P21511
	french	P21512
	german	P21513
	spanish	P21514
	dutch	P21515
	swedish	P21517
6	Outrigger controls	P19192
	french	P19192
	german	P19192
	spanish	P19192
	dutch	P19192
	swedish	P19192

french  
german  
spanish

labelling

Item	Description	Part Number
<b>7</b>	Head protection	<b>P14921</b>
	french	<b>P14921</b>
	german	<b>P14921</b>
	spanish	<b>P14921</b>
	dutch	<b>P14921</b>
	swedish	<b>P14921</b>
<b>8</b>	Emergency stop switch	<b>P14864</b>
	french	<b>P14865</b>
	german	<b>P14866</b>
	spanish	<b>P14867</b>
	dutch	<b>P16628</b>
	swedish	<b>P19625</b>
<b>9</b>	Control panel decal - Cage	<b>P23666</b>
	french	<b>P23666</b>
	german	<b>P23666</b>
	spanish	<b>P23666</b>
	dutch	<b>P23666</b>
	swedish	<b>P23666</b>
<b>10</b>	Cage gate warning	<b>P18335</b>
	french	<b>P18335</b>
	german	<b>P18335</b>
	spanish	<b>P18335</b>
	dutch	<b>P18335</b>
	swedish	<b>P18335</b>
<b>11</b>	Harness point	<b>P32302</b>
	french	<b>P32302</b>
	german	<b>P32302</b>
	spanish	<b>P32302</b>
	dutch	<b>P32302</b>
	swedish	<b>P32302</b>
<b>12</b>	Niftylift.com	<b>P14390</b>
	french	<b>P14390</b>
	german	<b>P14390</b>
	spanish	<b>P14390</b>
	dutch	<b>P14390</b>
	swedish	<b>P14390</b>

 french  
 german  
 spanish

**labelling**

## 5.1 continued

Item	Description	Part Number
13	Operating instructions	P14892
	french	P14892
	german	P14892
	spanish	P14892
	dutch	P14892
	swedish	P14892

14	Footswitch disabled	P14884
	french	P14885
	german	P14886
	spanish	P14887
	dutch	P16898
	swedish	P19626

15	Warning - SWL 225kg	P17328
	french	P17328
	german	P17328
	spanish	P17328
	dutch	P17328
	swedish	P17328

16	<b>Toughcage</b>	P21816
	french	P21816
	german	P21816
	spanish	P21816
	dutch	P21816
	swedish	P21816

17	General warning	P24900
	french	P21971
	german	P21972
	spanish	P21973
	dutch	P21974
	swedish	P21976

18	Control levers - Cage	P14020
	french	P14020
	german	P14020
	spanish	P14020
	dutch	P14020
	swedish	P14020

See Figure 5.1, Page 5-11

Item	Description	Part Number
<b>19</b>	SIOPS Instructions	<b>P22820</b>
	french	<b>P22821</b>
	german	<b>P22822</b>
	spanish	<b>P22823</b>
	dutch	<b>P22824</b>
	swedish	<b>P22826</b>
<b>20</b>	Nifty SD210 - Grey	<b>P17436</b>
	french	<b>P17436</b>
	german	<b>P17436</b>
	spanish	<b>P17436</b>
	dutch	<b>P17436</b>
	swedish	<b>P17436</b>
<b>21</b>	No step	<b>P14785</b>
	french	<b>P14785</b>
	german	<b>P14785</b>
	spanish	<b>P14785</b>
	dutch	<b>P14785</b>
	swedish	<b>P14785</b>
<b>22</b>	Noise warning (115dB)	<b>P35382</b>
	french	<b>P35382</b>
	german	<b>P35382</b>
	spanish	<b>P35382</b>
	dutch	<b>P35382</b>
	swedish	<b>P35382</b>
<b>23</b>	Moving Machinery/Hot surfaces	<b>P22314</b>
	french	<b>P22314</b>
	german	<b>P22314</b>
	spanish	<b>P22314</b>
	dutch	<b>P22314</b>
	swedish	<b>P22314</b>
<b>24</b>	Serial plate	<b>P32187</b>
	french	<b>P32187</b>
	german	<b>P32187</b>
	spanish	<b>P32187</b>
	dutch	<b>P32187</b>
	swedish	<b>P32187</b>

 french  
 german  
 spanish


**labeling**


## 5.1 continued

Item	Description	Part Number
25	Travel direction	P14784
	french	P14784
	german	P14784
	spanish	P14784
	dutch	P14784
	swedish	P14784

26	Hand crush	P14782
	french	P14782
	german	P14782
	spanish	P14782
	dutch	P14782
	swedish	P14782

27	Point load - 25 kN	P17558
	french	P17558
	german	P17558
	spanish	P17558
	dutch	P17558
	swedish	P17558

28	Jacking point	P17557
	french	P17557
	german	P17557
	spanish	P17557
	dutch	P17557
	swedish	P17557

29	Lifting, towing, tie down point	P17556
	french	P17556
	german	P17556
	spanish	P17556
	dutch	P17556
	swedish	P17556

30	Outriggers	P14841
	french	P14842
	german	P14843
	spanish	P14844
	dutch	P16262
	swedish	P19624

See Figure 5.1, Page 5-11

Item	Description	Part Number
<b>31</b>	Gearbox disengage	<b>P19180</b>
	french	<b>P19757</b>
	german	<b>P19758</b>
	spanish	<b>P19759</b>
	dutch	<b>P19760</b>
	swedish	<b>P19724</b>
<b>32</b>	4x4x4 - Grey	<b>P17437</b>
	french	<b>P17437</b>
	german	<b>P17437</b>
	spanish	<b>P17437</b>
	dutch	<b>P17437</b>
	swedish	<b>P17437</b>
<b>33</b>	Booms/Drive Selector	<b>P23093</b>
	french	<b>P23093</b>
	german	<b>P23093</b>
	spanish	<b>P23093</b>
	dutch	<b>P23093</b>
	swedish	<b>P23093</b>
<b>34</b>	1, 2, 3, 4 - Grey	<b>P17000</b>
	french	<b>P17000</b>
	german	<b>P17000</b>
	spanish	<b>P17000</b>
	dutch	<b>P17000</b>
	swedish	<b>P17000</b>
<b>35</b>	Pressurised tank	<b>P16365</b>
	french	<b>P17094</b>
	german	<b>P17039</b>
	spanish	<b>P17041</b>
	dutch	<b>P16903</b>
	swedish	<b>P19954</b>
<b>36</b>	Trip - Push to reset	<b>P19056</b>
	french	<b>P19056</b>
	german	<b>P19056</b>
	spanish	<b>P19056</b>
	dutch	<b>P19056</b>
	swedish	<b>P19056</b>

 french  
 german  
 spanish

**labelling**

## 5.1 continued

Item	Description	Part Number
37	Electric Luffing/Levelling	P17559
	french	P17559
	german	P17559
	spanish	P17559
	dutch	P17559
	swedish	P17559

38	Hydraulic oil	P17227
	french	P17227
	german	P17227
	spanish	P17227
	dutch	P17227
	swedish	P17227

39	Diesel ONLY	P14414
	french	P14414
	german	P14414
	spanish	P14414
	dutch	P14414
	swedish	P14414

40	Emergency Controls Location	P31869
	french	P31869
	german	P31869
	spanish	P31869
	dutch	P31869
	swedish	P31869

41	Manual descent	P19605
	french	P19605
	german	P19605
	spanish	P19605
	dutch	P19605
	swedish	P19605

42	Control levers - Base	P22042
	french	P22042
	german	P22042
	spanish	P22042
	dutch	P22042
	swedish	P22042

See Figure 5.1, Page 5-11

Item	Description	Part Number
<b>43</b>	Chain inspection	<b>P16535</b>
	french	<b>P17330</b>
	german	<b>P17331</b>
	spanish	<b>P17332</b>
	dutch	<b>P16539</b>
	swedish	<b>P19707</b>
<b>44</b>	Emergency Controls Location	<b>P33133</b>
	french	<b>P33133</b>
	german	<b>P33133</b>
	spanish	<b>P33133</b>
	dutch	<b>P33133</b>
	swedish	<b>P33133</b>
<b>45</b>	Daily safety check list	<b>P14908</b>
	french	<b>P14909</b>
	german	<b>P14910</b>
	spanish	<b>P14911</b>
	dutch	<b>P17318</b>
	swedish	<b>P19629</b>
<b>46</b>	Control box decal - Base	<b>P16752</b>
	french	<b>P16752</b>
	german	<b>P16752</b>
	spanish	<b>P16752</b>
	dutch	<b>P16752</b>
	swedish	<b>P16752</b>
<b>47</b>	Clunk Click	<b>P19961</b>
	french	<b>P19961</b>
	german	<b>P19961</b>
	spanish	<b>P19961</b>
	dutch	<b>P19961</b>
	swedish	<b>P19961</b>
<b>48</b>	IPAF - Are you trained?	<b>P22055</b>
	french	<b>P22055</b>
	german	<b>P22055</b>
	spanish	<b>P22055</b>
	dutch	<b>P22055</b>
	swedish	<b>P22055</b>

 french  
 german  
 spanish

**labelling**


## 5.1 continued

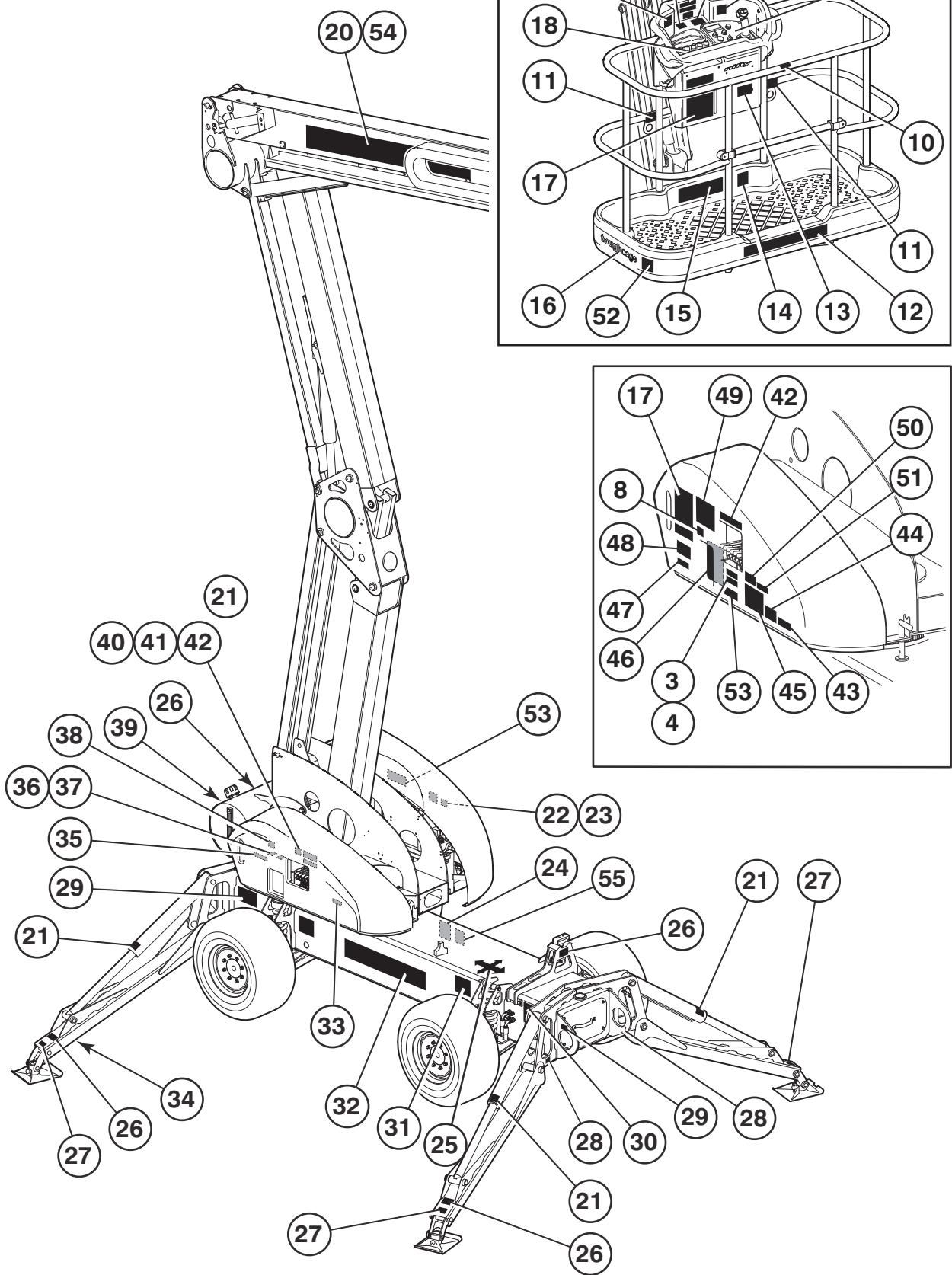
Item	Description	Part Number
49	General Notice	P21941
	french	P21942
	german	P21943
	spanish	P21944
	dutch	P21945
	swedish	P21947
50	Battery isolator	P18600
	french	P18600
	german	P18600
	spanish	P18600
	dutch	P18600
	swedish	P18600
51	Battery drain	P19850
	french	P19851
	german	P19852
	spanish	P19853
	dutch	P19854
	swedish	P19856
52	Cage tie-down warning	P21404
	french	P21404
	german	P21404
	spanish	P21404
	dutch	P21404
	swedish	P21404
53 *	Rotating Machinery	P15010
54 *	Nifty SD64 - Grey	P19421
55 *	Annual inspection	P33474

\* USA (SD64) Only

french  
german  
spanish

labeling

Please refer to Figure 5.2 & 5.3 for representation of labels



french  
german  
spanish

**labelling**



**Figure 5.1 Label locations**

**1**

**2**

**3**

**4**

**5**

**6**

**8**

**10**

**11**

**13**

**14**

**15**

**17**

**18**

**19**

**21**

**22**

**23**

**25**

**26**

**27**

**28**

**29**

**30**

**31**

**33**

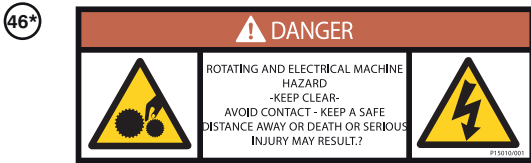
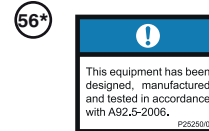
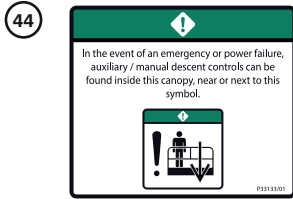
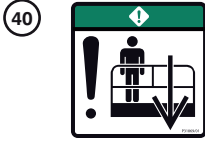
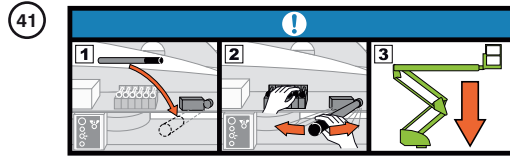
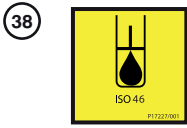
**35**

**36**

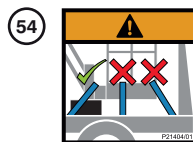
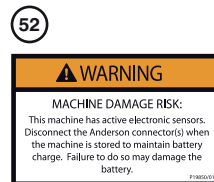
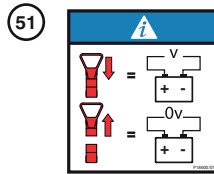
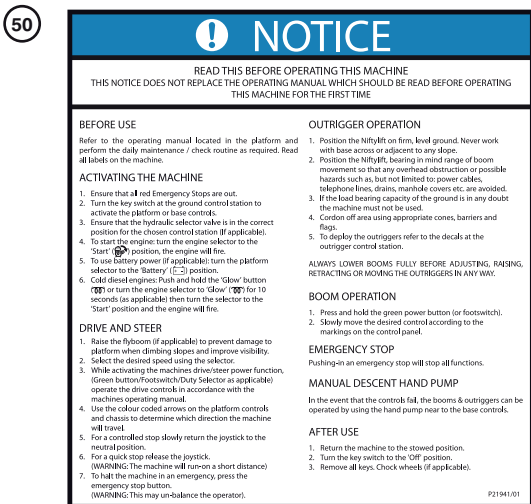
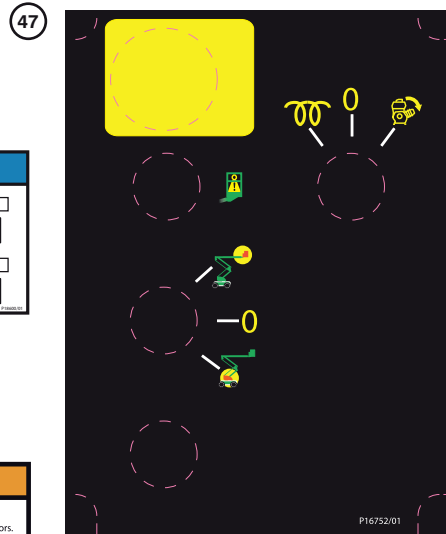
**37**

french  
 german  
 spanish  
 labelling

Figure 5.2 Labels (1-37)



\*SD64 (USA) ONLY



french  
german  
spanish

**labelling**



